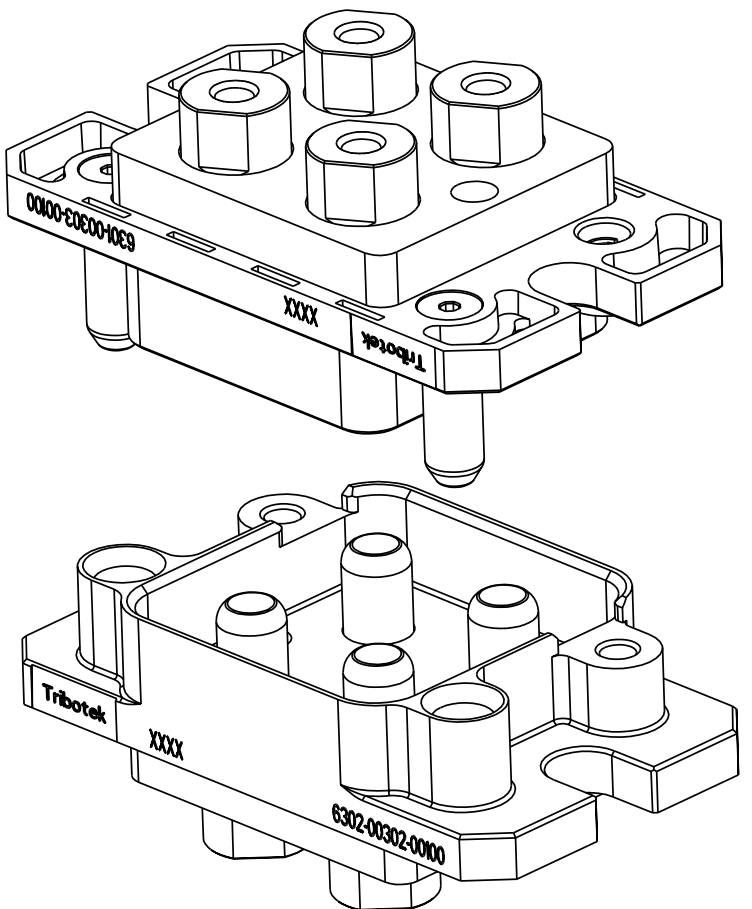


PROPRIETARY NOTICE
 ALL INFORMATION IN THIS DRAWING IS CONFIDENTIAL AND PROPRIETARY INFORMATION IS NOT TO BE DISTRIBUTED, COPIED OR SHARED EXCEPT WITH PRIOR WRITTEN APPROVAL OF CABLECO TECHNOLOGY-METHODE ELECTRONICS, INC.

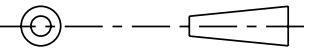
ECO	REV	DESCRIPTION	DATE
EC-116	B	EDITORIAL AND PART NUMBER UPDATES	6/12/08
EC-198	C	ADD SILVER PLATED SOCKET CONTACT WEAVE ELEMENTS	1/19/09

PART ORDERING INFORMATION		
DESCRIPTION	ACTIVE PART NO.	OBSOLETE PART NO.
FEMALE SOCKET CONNECTOR GOLD PLATED CONTACT ELEMENTS	6301-00303-00100	A-00303-01
FEMALE SOCKET CONNECTOR SILVER PLATED CONTACT ELEMENTS	6301-00303-00104	N/A
MALE PIN CONNECTOR	6302-00302-00100	A-00302-01
MOUNTING SCREWS	9119-01203-02103	T-01203-01

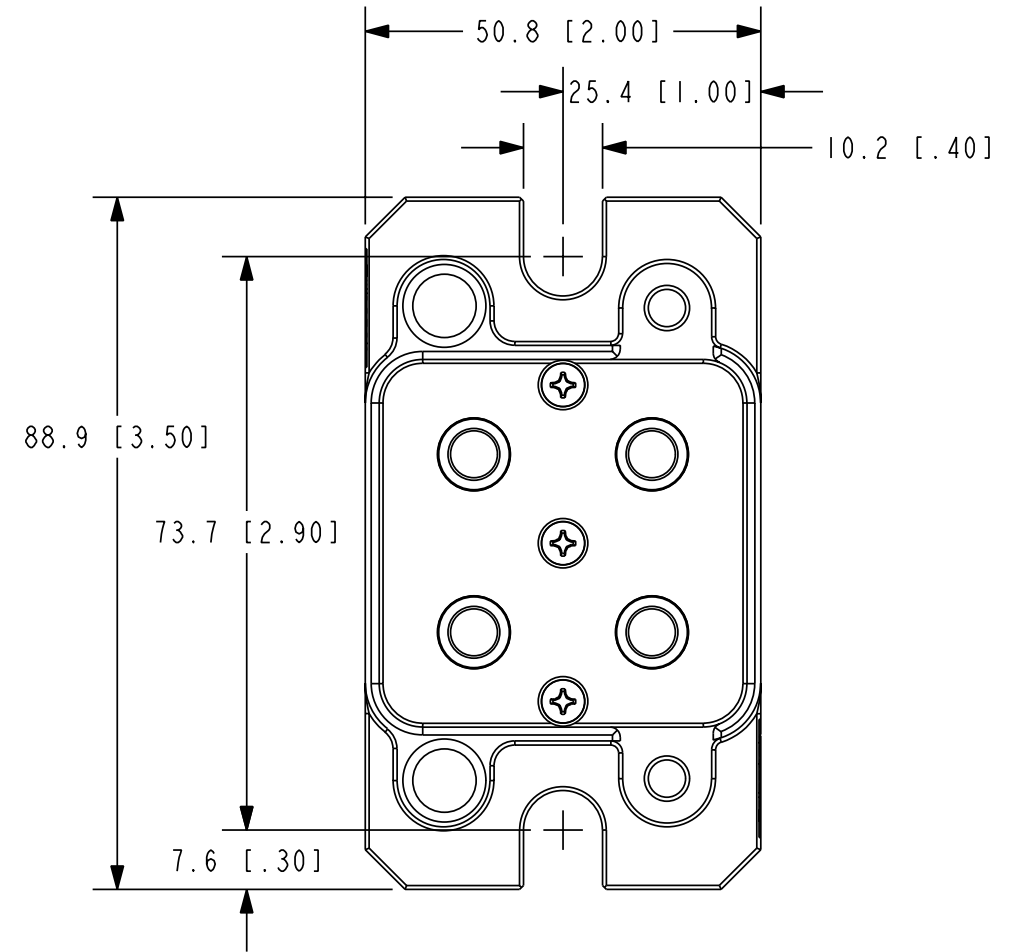
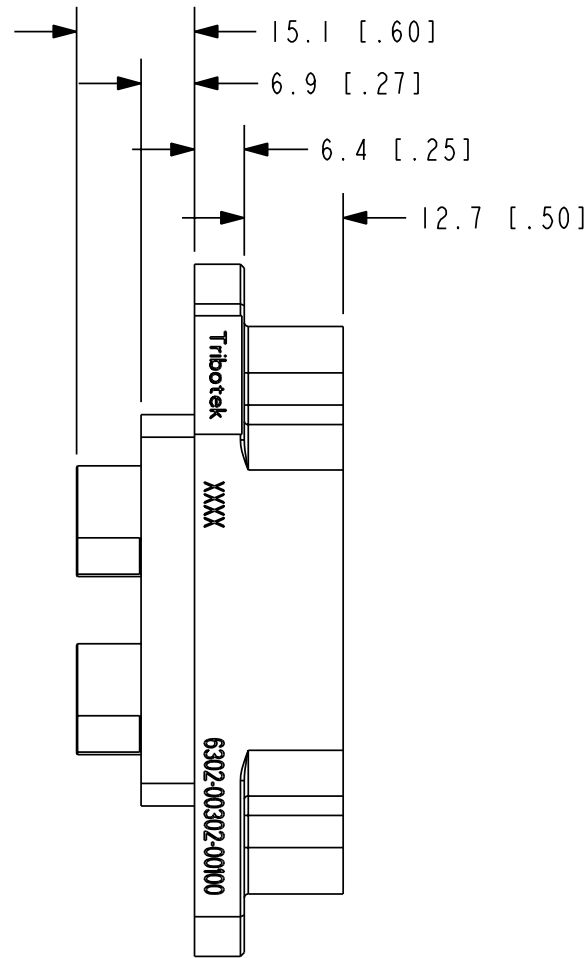
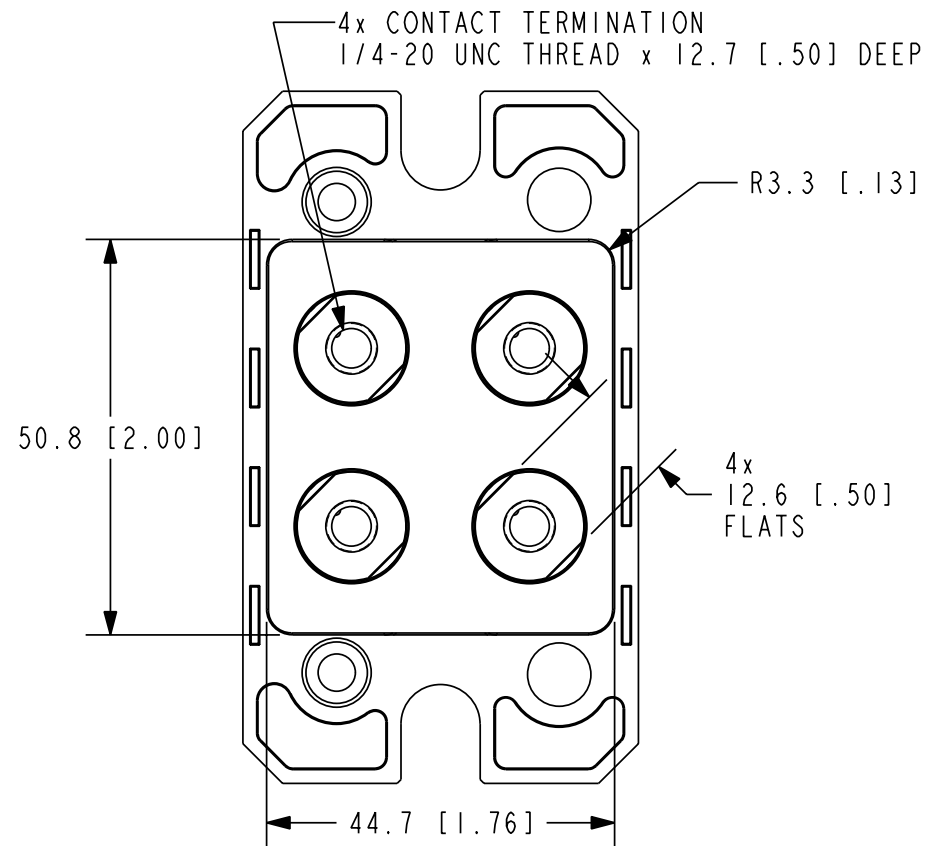


NOTES:

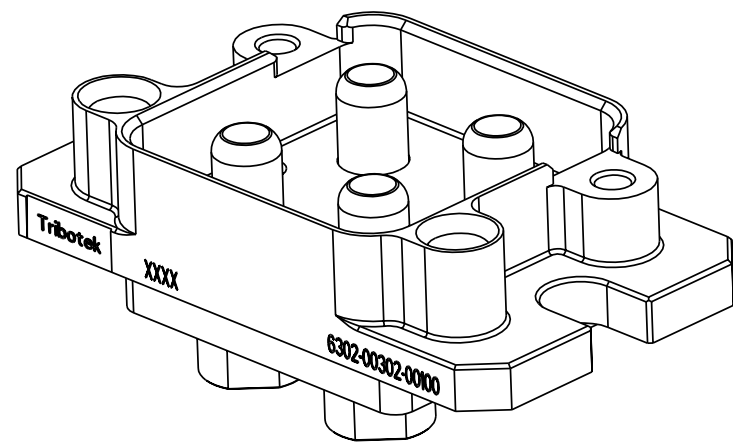
- MATERIALS:**
 INSULATORS: THERMOPLASTIC, UL 94 V-0
 SOCKET CONTACTS: COPPER ALLOY BODY & SPRING ELEMENT PLUS COPPER WEAVE & POLYARAMID FIBRE INTERFACE
 PIN CONTACTS: COPPER ALLOY
 MOUNTING SCREWS: STAINLESS STEEL
 GUIDE POSTS: STAINLESS STEEL
- FINISHES:**
 SOCKET CONTACTS: 6301-00303-00100 - GOLD OVER NICKEL PLATE
 6301-00303-00104 - SILVER OVER NICKEL PLATE
 SOCKET BODY: SILVER OVER NICKEL PLATE
 PIN CONTACTS: SILVER OVER NICKEL PLATE
- REFERENCE DIMENSIONS IN PARENTHESIS (.XXX) ARE WITHOUT TOLERANCE AND USED FOR INFORMATION ONLY.**
- MATING SPECIFICATIONS:**
 *CONNECTOR GATHERABILITY: ±2.5 [.10] RADIAL
 *PANEL FLOAT: ±1.27 [.050] EACH CONNECTOR
 *MAXIMUM MATING OFFSET: 3.00 [.118]

 THIRD ANGLE PROJECTION	APPROVALS	DATE	CABLECO TECHNOLOGY 1750 Junction Avenue, San Jose, CA 95112 (408) 453-9500	
	ORIG: R. LARSEN	4/21/2005		
TOLERANCES UNLESS OTHERWISE SPECIFIED DIMENSIONS ARE IN MILLIMETERS TOLERANCES ARE: DECIMALS X.X: ±0.4 X.XX: ±0.13 ANGLES ±2.0° SURFACE FINISH: 1.6 RMS	ENGR: M. SWEETLAND	4/21/2005	PIN & SOCKET CONNECTOR PAIR FOUR SIZE 1/0 CONTACTS, 1/4-20 THD TERMINATIONS XQ CONNECTOR	
	MFG:		SIZE B	REV C
	DC:		DRAWING NUMBER	C6313-00301-00100
SCALE: 1.0		FILENAME: 6313-00301-00100	SHEET: 1 OF 4	

PROPRIETARY NOTICE
 ALL INFORMATION IN THIS DRAWING IS CONFIDENTIAL AND PROPRIETARY INFORMATION IS NOT TO BE DISTRIBUTED, COPIED OR SHARED EXCEPT WITH PRIOR WRITTEN APPROVAL OF CABLECO TECHNOLOGY-METHODE ELECTRONICS, INC.

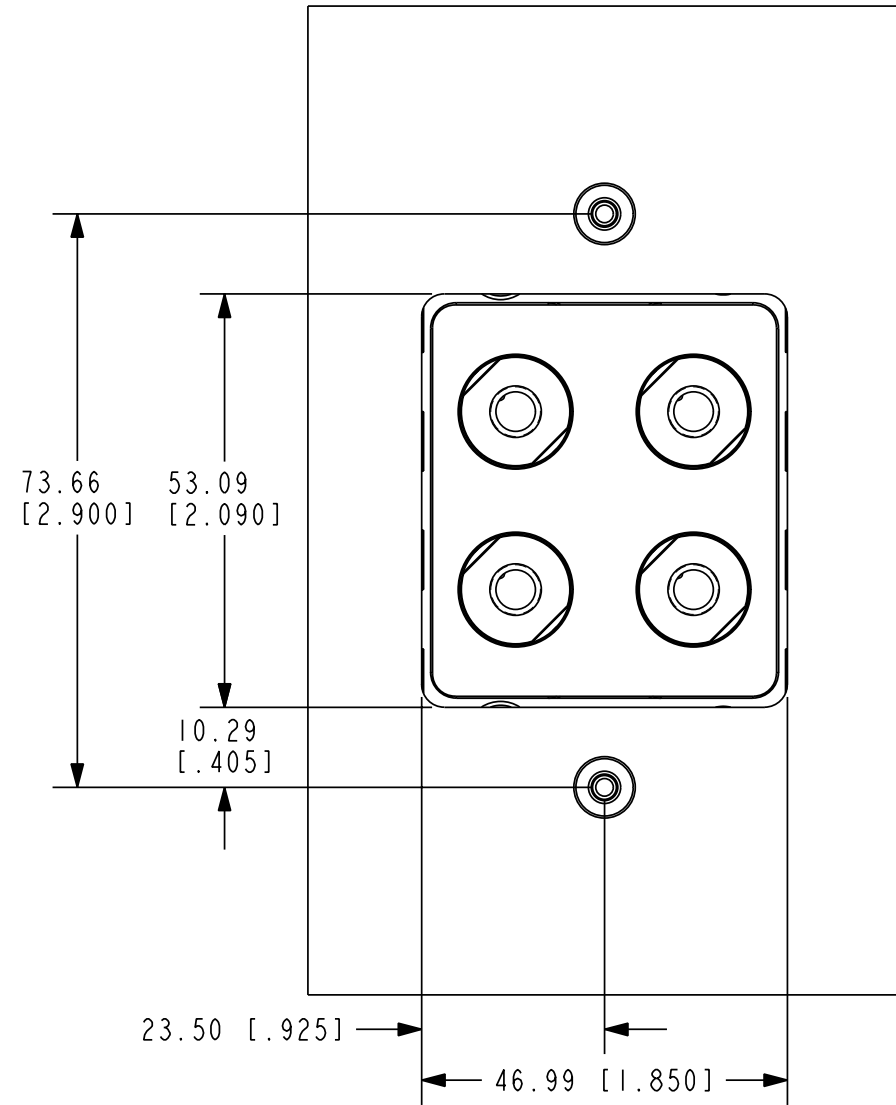


MALE PIN CONNECTOR
PN: 6302-00302-00100

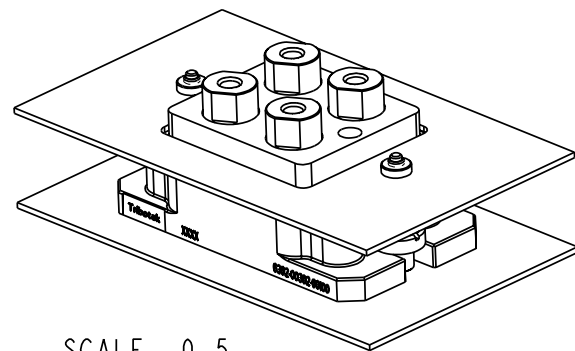


<p>THIRD ANGLE PROJECTION</p>	APPROVALS	DATE	<p>CABLECO TECHNOLOGY 1750 Junction Avenue, San Jose, CA 95112 (408) 453-9500</p>		
	ORIG: R. LARSEN	4/21/2005			
<p>TOLERANCES</p> <p>UNLESS OTHERWISE SPECIFIED DIMENSIONS ARE IN MILLIMETERS TOLERANCES ARE:</p> <p>DECIMALS X.X: ±0.4 X.XX: ±0.13</p> <p>ANGLES ±2.0°</p> <p>SURFACE FINISH: 1.6 RMS</p>	ENGR: M. SWEETLAND	4/21/2005	<p>TITLE</p> <p>PIN & SOCKET CONNECTOR PAIR FOUR SIZE 1/0 CONTACTS, 1/4-20 THD TERMINATIONS XQ CONNECTOR</p>		
	MFG:				
	QA:			SIZE	DRAWING NUMBER
	DC:			B	C6313-00301-00100
			SCALE: 1.0	FILENAME: 6313-00301-00100	REV C
					SHEET: 2 OF 4

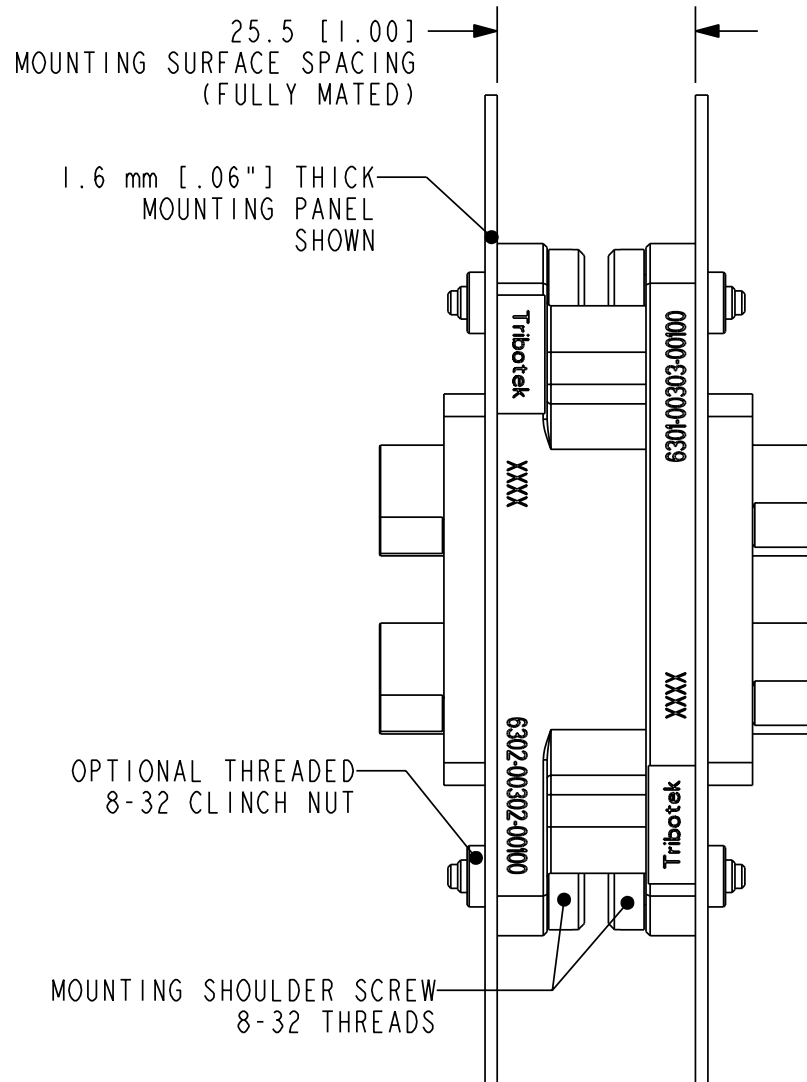
PROPRIETARY NOTICE
 ALL INFORMATION IN THIS DRAWING IS CONFIDENTIAL AND PROPRIETARY INFORMATION IS NOT TO BE DISTRIBUTED, COPIED OR SHARED EXCEPT WITH PRIOR WRITTEN APPROVAL OF CABLECO TECHNOLOGY-METHODE ELECTRONICS, INC.



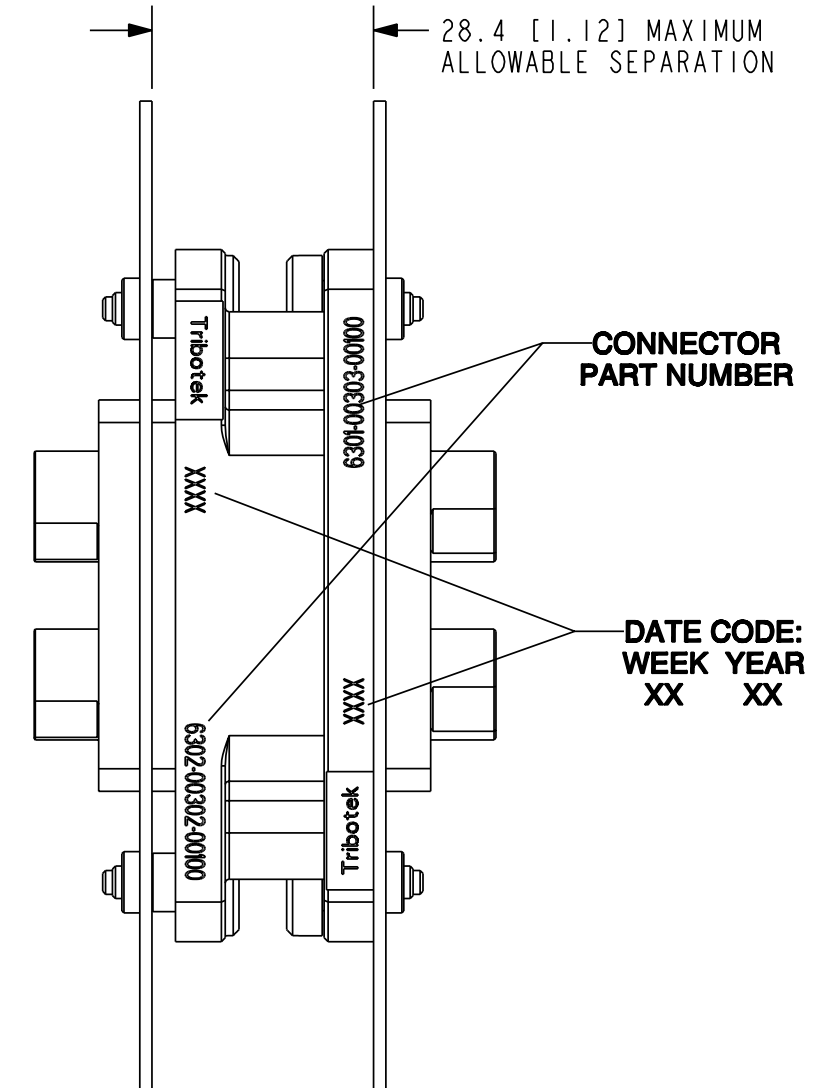
RECOMMENDED PANEL CUTOUT



SCALE 0.5



FULLY MATED CONDITION



3 mm OFFSET CONDITION

MATED PAIR

<p>THIRD ANGLE PROJECTION</p>	APPROVALS	DATE	<p>CABLECO TECHNOLOGY 1750 Junction Avenue, San Jose, CA 95112 (408) 453-9500</p>		
	ORIG: R. LARSEN	4/21/2005			
<p>TOLERANCES UNLESS OTHERWISE SPECIFIED DIMENSIONS ARE IN MILLIMETERS TOLERANCES ARE:</p> <p>DECIMALS X.X: ±0.4 X.XX: ±0.13</p> <p>ANGLES ±2.0°</p> <p>SURFACE FINISH: 1.6 RMS</p>	ENGR: M. SWEETLAND	4/21/2005	<p>TITLE PIN & SOCKET CONNECTOR PAIR FOUR SIZE 1/0 CONTACTS, 1/4-20 THD TERMINATIONS XQ CONNECTOR</p>		
	MFG:				
	QA:			SIZE B	REV C
	DC:			DRAWING NUMBER C6313-00301-00100	
			SCALE: 1.0	FILENAME: 6313-00301-00100	SHEET: 4 OF 4