

PROPRIETARY NOTICE
 ALL INFORMATION IN THIS DRAWING IS CONFIDENTIAL AND PROPRIETARY. INFORMATION IS NOT TO BE DISTRIBUTED, COPIED OR SHARED EXCEPT WITH PRIOR WRITTEN APPROVAL OF CABLECO TECHNOLOGY-METHODE ELECTRONICS, INC.

ECO	REV	DESCRIPTION	DATE
EC-140	E	ADD SUBASSEMBLY PART NUMBERS & UPDATE DWG FORMAT	07/31/08
EC-192	F	ADD SILVER PLATED SOCKET CONTACT WEAVE ELEMENTS	1/5/09

NOTES: UNLESS OTHERWISE SPECIFIED;

1. CONNECTOR NAMES AND PART NUMBERS:

NAME: PIN CONNECTOR P5-S0, INTEGRAL MATING LOCK
PART NUMBER: 6302-02092-00100 FULLY POPULATED
SUBASSEMBLY PART NUMBER: 6316-02094-01100 HOUSING ONLY

NAME: SOCKET CONNECTOR P5-S0, INTEGRAL MATING LOCK
PART NUMBERS: 6301-02093-00100 FULLY POPULATED WITH GOLD PLATED CONTACT ELEMENTS
6301-02093-00104 FULLY POPULATED WITH SILVER PLATED CONTACT ELEMENTS
SUBASSEMBLY PART NUMBER: 6315-02095-01100 HOUSING ONLY

2. MATERIALS:

INSULATORS: THERMOPLASTIC, UL 94 V-0
SOCKET CONTACTS: COPPER ALLOY BODY & SPRING ELEMENT PLUS COPPER WEAVE & POLYARAMID FIBRE INTERFACE
PIN CONTACTS: COPPER ALLOY

3. FINISHES:

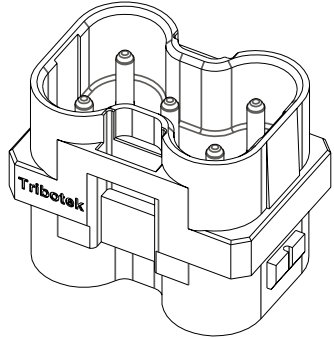
SOCKET CONTACTS: 6301-02093-00100 - GOLD OVER NICKEL UNDER PLATING
6301-02093-00104 - SILVER OVER NICKEL UNDER PLATING
SOCKET BODY: SILVER OVER NICKEL UNDER PLATING
PIN CONTACTS: SILVER OVER NICKEL UNDER PLATING

4. REFERENCE DIMENSIONS IN PARENTHESIS (.XXX) ARE WITHOUT TOLERANCE AND USED FOR INFORMATION ONLY.

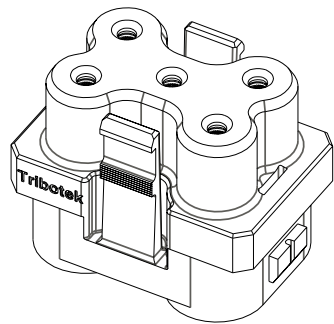
5. OPERATIONAL CONDITIONS

- * CONTACT SHROUD GATHERING OF ± 1.5 MM [.06 INCH]
- * MATING LOCK ENGAGES AT FULL MATE CONDITION
- * TYPICAL CONNECTOR MATING FORCES OF 5 POUNDS, PLUS LOCK ENGAGEMENT, WHEN LOADED WITH CONTACTS IN ALL POSITIONS.

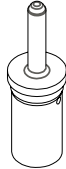
6. CRIMP TERMINATION CONTACTS ARE SHIPPED UN-INSTALLED TO FACILITATE WIRE CRIMPING OPERATION.



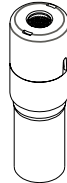
PIN CONNECTOR-FULLY POPULATED
 CONTACTS SHIPPED UN-INSTALLED
 PN: 6302-02092-00100




SOCKET CONNECTOR-FULLY POPULATED
 CONTACTS SHIPPED UN-INSTALLED
 PN: 6301-02093-00100 (GOLD PLATED ELEMENTS)
 PN: 6301-02093-00104 (SILVER PLATED ELEMENTS)



SIZE 12 PIN / 8 AWG CRIMP BARREL CONTACT
 PN: 9104-01533-02104

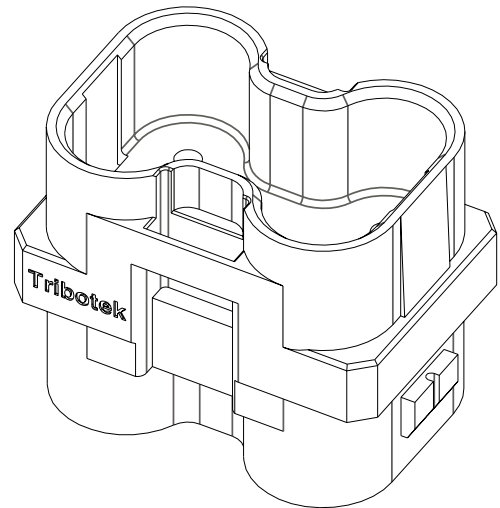


SIZE 12 SOCKET / 8 AWG CRIMP BARREL CONTACT
 PN: 9303-00462-00109 - GOLD PLATED ELEMENTS
 PN: 9303-00462-00104 - SILVER PLATED ELEMENTS

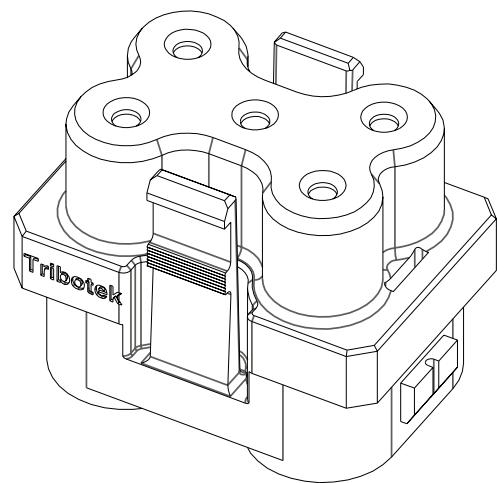
 THIRD ANGLE PROJECTION	APPROVALS		DATE		CABLECO TECHNOLOGY 1750 Junction Avenue, San Jose, CA 95112 (408) 453-9500		
	ORIG:		06/12/2006				
	ENGR:	R. Larsen	06/12/2006				
	MFG:						
UNLESS OTHERWISE SPECIFIED DIMENSIONS ARE IN MILLIMETERS TOLERANCES ARE: DECIMALS ANGLES X.X: ± 0.4 $\pm 2.0^\circ$ X.XX: ± 0.20 SURFACE FINISH: N/A		QA:			SIZE	DRAWING NUMBER	REV
		DC:			B	C6313-02091-00100	F
				SCALE: 1.0	FILENAME: 6313-02091-00100	SHEET: 1 OF 3	

PROPRIETARY NOTICE

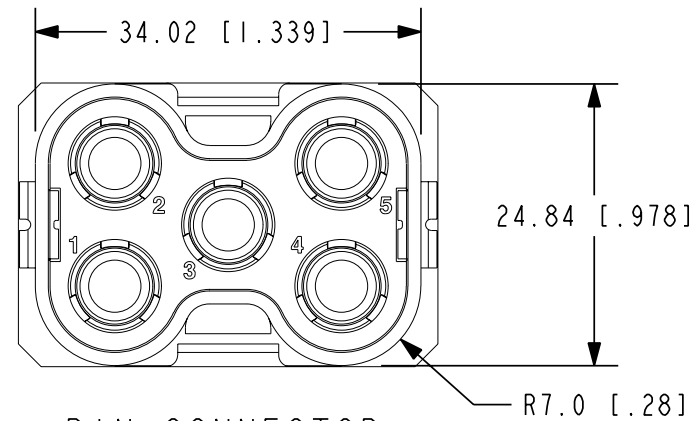
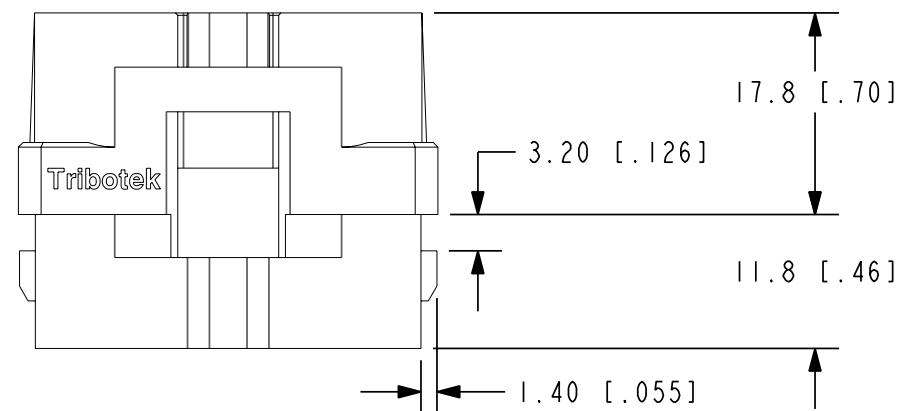
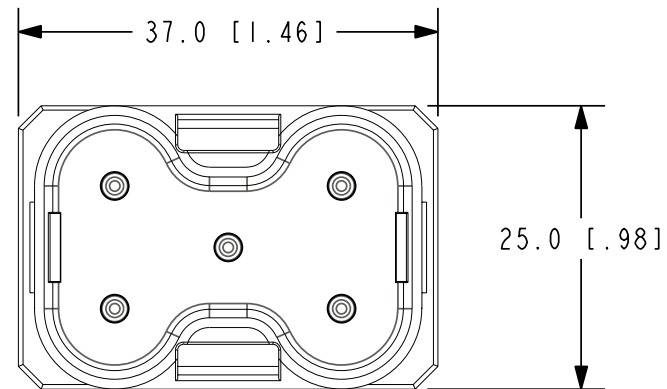
ALL INFORMATION IN THIS DRAWING IS CONFIDENTIAL AND PROPRIETARY INFORMATION IS NOT TO BE DISTRIBUTED, COPIED OR SHARED EXCEPT WITH PRIOR WRITTEN APPROVAL OF CABLECO TECHNOLOGY-METHODE ELECTRONICS, INC.



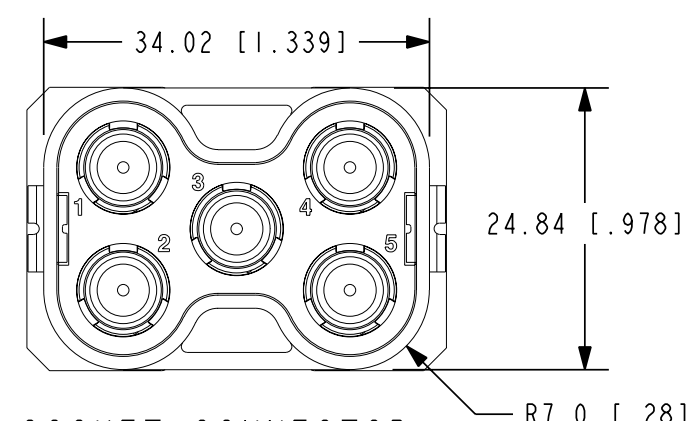
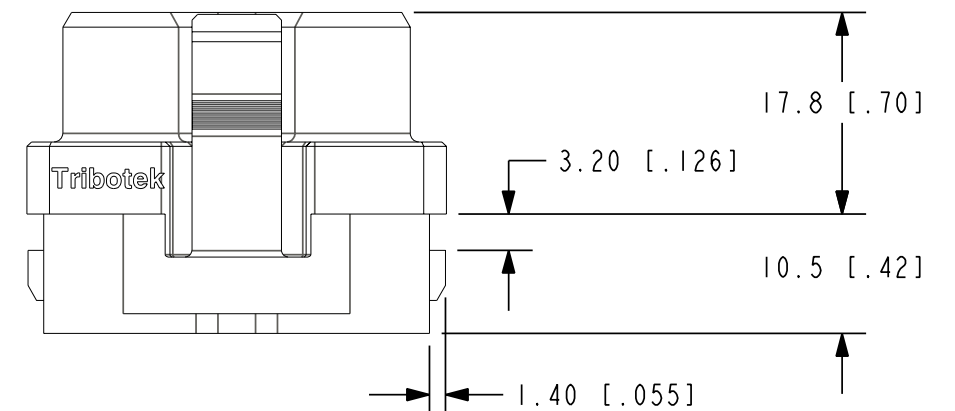
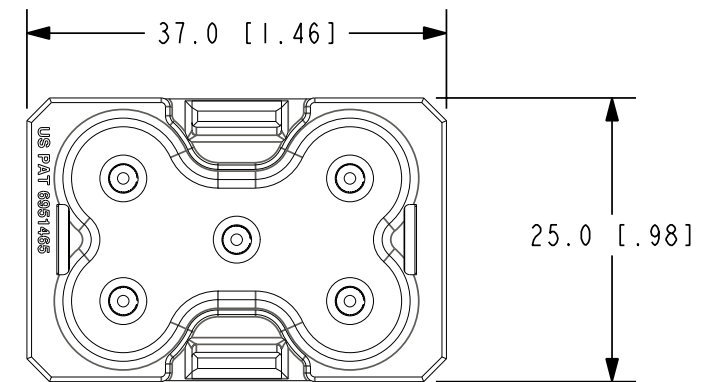
PIN CONNECTOR HOUSING
CONTACTS PROVIDED SEPARATELY
SUBASSEMBLY PN: 6316-02094-01100



SOCKET CONNECTOR HOUSING
CONTACTS PROVIDED SEPARATELY
SUBASSEMBLY PN: 6315-02095-01100



PIN CONNECTOR



SOCKET CONNECTOR



THIRD ANGLE PROJECTION

TOLERANCES

UNLESS OTHERWISE SPECIFIED DIMENSIONS ARE IN MILLIMETERS TOLERANCES ARE:

DECIMALS **ANGLES**
X.X: ±0.4 ±2.0°
X.XX: ±0.20

SURFACE FINISH: N/A

APPROVALS

ORIG:	R. Larsen	06/12/2006
ENGR:		
MFG:		
QA:		
DC:		

DATE

06/12/2006

CABLECO TECHNOLOGY

1750 Junction Avenue, San Jose, CA 95112 (408) 453-9500

TITLE
CUSTOMER DRAWING, CONNECTOR PAIR
PN: 6302-02092-00100 PIN CONNECTOR
PN: 6301-02093-0010X SOCKET CONNECTOR

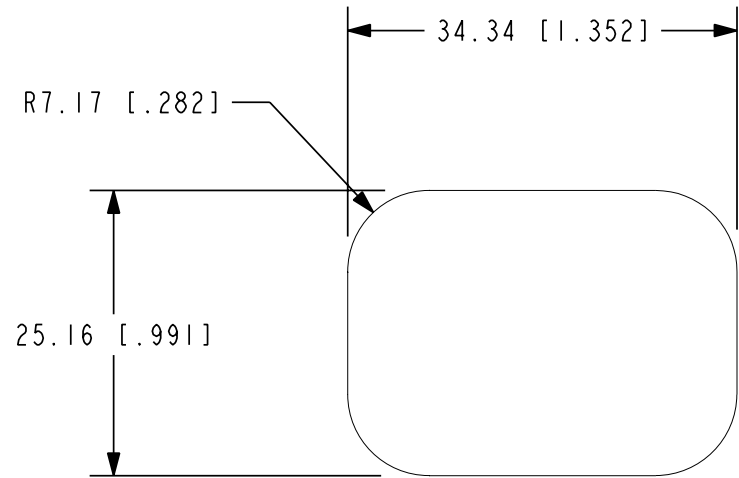
SIZE B	DRAWING NUMBER C6313-02091-00100	REV F
-----------	-------------------------------------	----------

SCALE: 1.5 FILENAME: 6313-02091-00100 SHEET: 2 OF 3

PROPRIETARY NOTICE

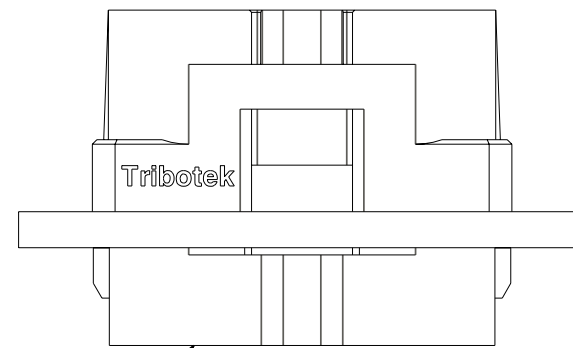
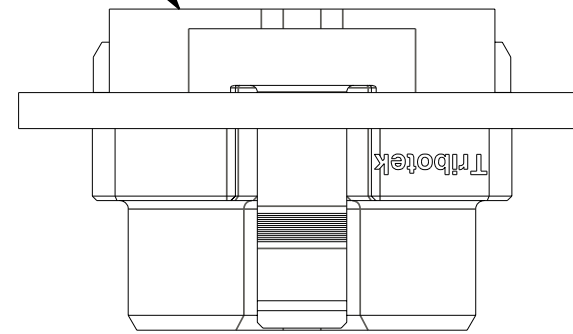
ALL INFORMATION IN THIS DRAWING IS CONFIDENTIAL AND PROPRIETARY. INFORMATION IS NOT TO BE DISTRIBUTED, COPIED OR SHARED EXCEPT WITH PRIOR WRITTEN APPROVAL OF CABLECO TECHNOLOGY-METHODE ELECTRONICS, INC.

(5) 8 AWG CRIMP CONTACT POSITIONS
INSTALL BEFORE OR AFTER MOUNTING
SEE SHEET 1 FOR CONTACT PART NUMBER



SUGGESTED PANEL CUTOUT

(5) 8 AWG CRIMP CONTACT POSITIONS
INSTALL BEFORE OR AFTER MOUNTING
SEE SHEET 1 FOR CONTACT PART NUMBER



UN-MATED CONDITION

3.2 [.13] THICK
MOUNTING PANEL SHOWN

24.1 [.95]
MOUNTING SURFACE
SPACING

LATCH IN LOCKED POSITON

FULLY MATED & LOCKED CONDITION

<p>THIRD ANGLE PROJECTION</p>	APPROVALS	DATE	<p>CABLECO TECHNOLOGY 1750 Junction Avenue, San Jose, CA 95112 (408) 453-9500</p>			
	ORIG:	06/12/2006				
<p>TOLERANCES</p> <p>UNLESS OTHERWISE SPECIFIED DIMENSIONS ARE IN MILLIMETERS TOLERANCES ARE:</p> <p>DECIMALS ANGLES X.X: ±0.4 ±2.0° X.XX: ±0.20</p> <p>SURFACE FINISH: N/A</p>	ENGR: R. Larsen	06/12/2006	<p>TITLE</p> <p>CUSTOMER DRAWING, CONNECTOR PAIR PN: 6302-02092-00100 PIN CONNECTOR PN: 6301-02093-0010X SOCKET CONNECTOR</p>			
	MFG:					
	QA:			SIZE	DRAWING NUMBER	REV
	DC:			B		
			SCALE: 1.5	FILENAME: 6313-02091-00100	SHEET: 3 OF 3	