

Rack Mount MFNP – Splice and Termination Cabinet

Description:

The MFNP Cabinets offer termination and splicing within one convenient housing. The MFNP terminates up to 144 fibers in 3U distribution frame. This unit accepts up to 12 snap-in coupling panels or prewired cassettes. The slide-out and swing down shelf allows unrestricted front, rear and top access to the splicing area and termination panels. Various types of splice trays can be used.



Features:

- For FTTH use - holder for microtubes included
- Slide-out and drop down shelf
- Aluminium material providing low weight and shipment costs
- Up to 144 - fiber termination - Splicing in single splice trays
- Individual splice tray access
- Removable top and back cover allows unrestricted front, rear and top access
- Prewired CAPM cassettes include connectorized fiber pigtails and adapters
- Smoked plexiglass lockable door options are available
- Durable powder coat finish

Technical specifications:

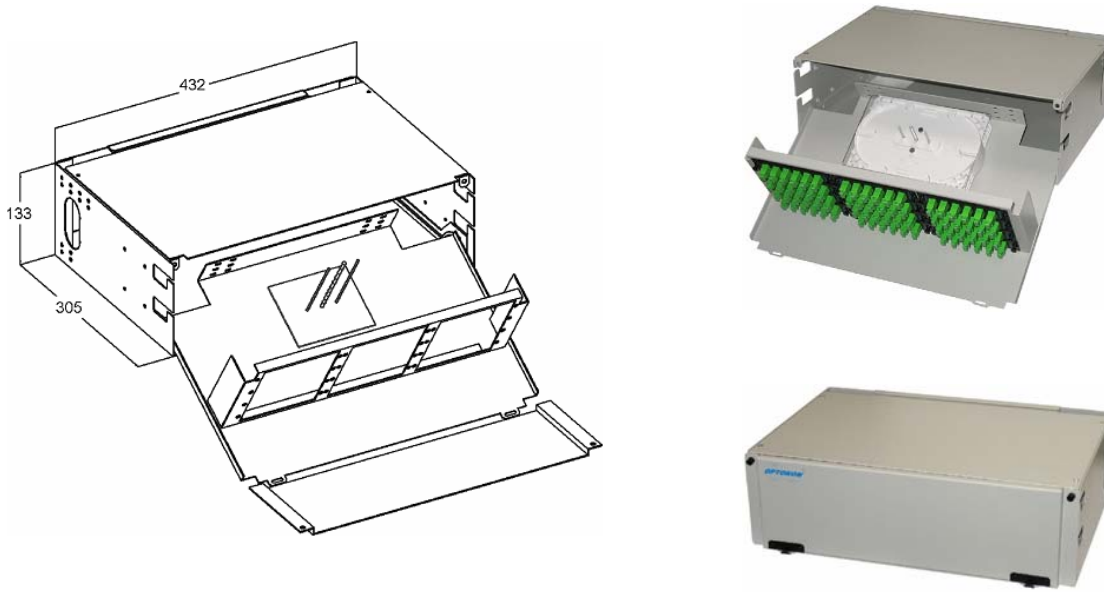
PART NUMBER	RACK UNITS	DIMENSIONS (H x W x D) mm	SHIP WGT (kg)
MFNP-2	2U	88 x 432 x 305	1.5
MFNP-3	3U	133 x 432 x 305	1.9

MFNP-2 - typical fiber capacity					
Splice Tray*	Max	Fibers	CNPM or CAPM*	Max	Fibers
KNS-12	6	72	CNPM-XX-06	6	36
			CNPM-XX-08		48
			CNPM-XX-12		72
MFNP-3 - typical fiber capacity					
KNS-12	12	144	CNPM-XX-06	12	72
			CNPM-XX-08		96
			CNPM-XX-12		144

*) Note: CNPM coupling panel (according to CMS_24-01_EN-CNPM)
CAPM prewired cassette with pigtails and adapters (CMS_22-01_EN-CAPM)

Splice Tray:
1. CMS_01-09_EN-KNS Splice_trays

Product information and specification



Ordering Code:

MFNP-X		- X	- XXX	- XX X	- X
Version MFNP-2 2U MFNP-3 3U					Front Door Option M Metal door P Smoked plexi door
Number of Splice Trays B* BRP – Bend Radius Protector 1-12 Number of Splice Trays			Coupling Type ST ST adapter SC SC adapter FC FC adapter E2 E2000 adapter DSC SC duplex adapter DLC LC duplex adapter MU MU adapter MJ MT-RJ adapter		Applications M Multimode S Singlemode A APC
Fiber Capacity 006 – 144 Fibers					

*) When the preterminated cable or field installable connectors are used