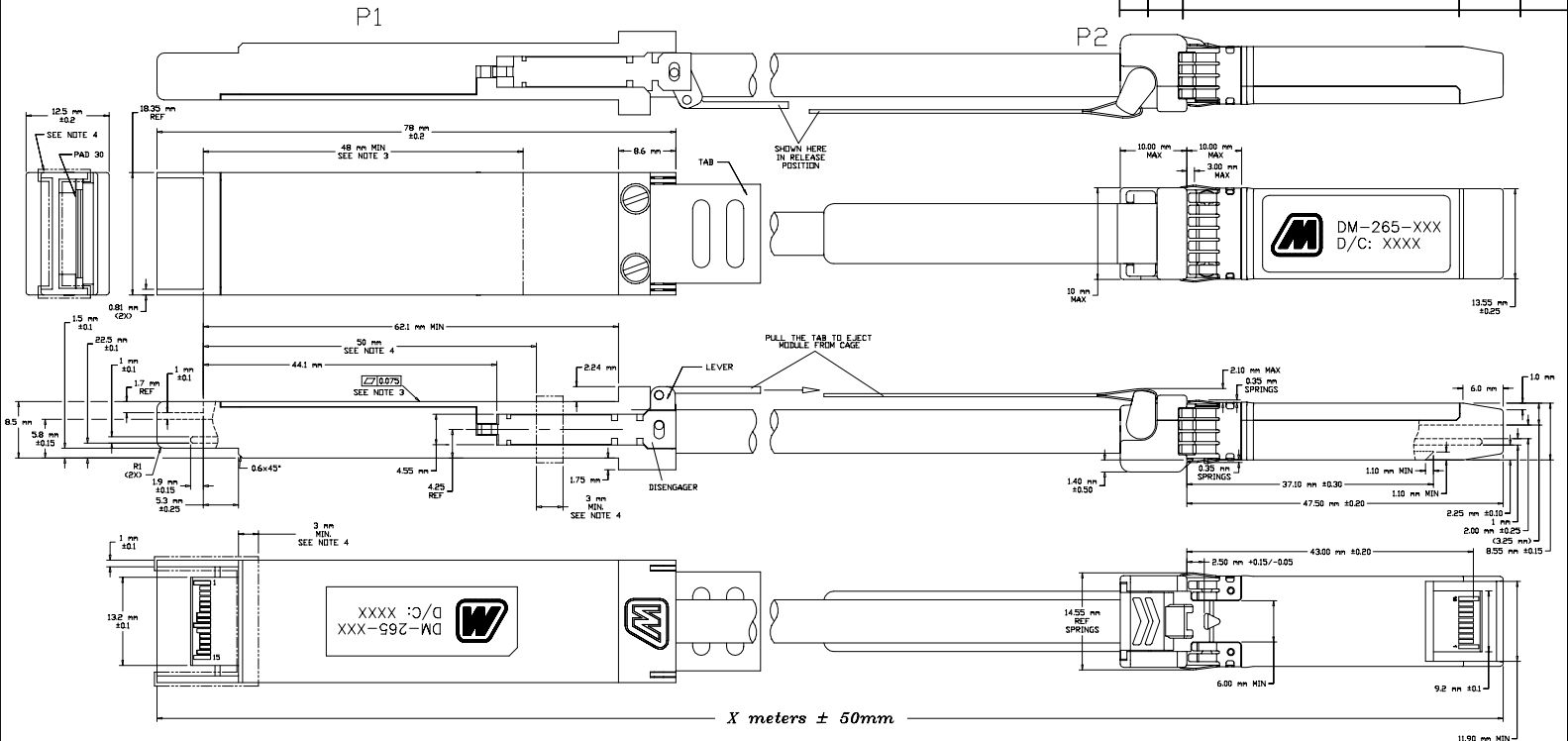


REVISION AND CHANGE EFFECTIVITY DATE				
LTR.	ECN	DESCRIPTION	DATE	APP'D.



1. CABLE:
 CONDUCTOR (SIGNAL WIRE): 24AWG SOLID SILVER PLATED COPPER.
 PAIR: 2 SINGLES LAID FLAT AND PARALLEL.
 INSULATION: POLYOLEFIN
 GROUND (DRAIN WIRE): 26AWG SOLID SILVER PLATED COPPER.
 PAIR SHIELD: ALUMINUM/POLYESTER TAPE, ALUMINUM SIDE FACING IN, 25% OVERLAP.
 INNER SHIELD: ALUMINUM/POLYESTER TAPE, ALUMINUM SIDE FACING OUT, 25% OVERLAP.
 OUTER SHIELD: 36AWG TIN PLATED COPPER BRAID, 85% COVERAGE.
 BUFFER - FOAM POLYOLEFIN TAPE
 JACKET: FLEXIBLE XPS; COLOR: BLACK
 DIAMETER: 6.86mm NOMINAL, COLOR: BLACK.
 PRINT LEGEND: TYPE CL2 75°C 24AWG (UL) MADISON CABLE CSA AWM II A/B 75C 30V FT4 TurboTwin™ 10G RoHS COMPLIANT*
 DIFFERENTIAL IMPEDANCE: 100±5 OHMS ØTDR
 UL LISTING: TYPE CL2 AS SPECIFIED IN ARTICLE 725 OF THE NATIONAL ELECTRICAL CODE. TurboTwin™

2. CONNECTORS:
 P1: XFP MODULE
 HOUSING: ZINC DIE CASTING, NICKEL PLATING
 P.C.B.: 4 LAYERS, FR4, 30µin. GOLD PLATING ON FINGERS
 LEVER AND DISENGAGERS: STAINLESS STEEL
 SCREWS: STAINLESS STEEL
 TAB: NYLON 6/6 OR POLYCARBONATE - UL94V-0
 P2: SFP+ MODULE
 HOUSING: ZINC DIE CASTING, NICKEL PLATING
 P.C.B.: 4 LAYERS, FR4, 30µin. GOLD PLATING ON FINGERS
 SCREWS: STAINLESS STEEL
 LATCH: PC RESIN UL94V-0, COLOR: BLACK
 PULL TAB: NYLON UL94V-0; COLOR: WHITE
 SERIAL ID: AT24C02B OR EQUIVALENT.

3. FLATNESS APPLIES FOR INDICATED LENGTH - SURFACE IS THERMALLY CONDUCTIVE
 4. INDICATED SURFACES (ALL 4 SIDES) ARE CONDUCTIVE FOR - CONNECTION TO CHASSIS GROUND

PART NUMBER	LENGTH
DM-265-100	1 Meter
DM-265-200	2 Meters
DM-265-300	3 Meters
DM-265-500	5 Meters
DM-265-700	7 Meters
DM-265-1000	10 Meters

WIRING CHART			
	P1 END	P2 END	
P1 PAD	SIGNAL	P2 PAD	SIGNAL
28	TX-	12	RX-
29	TX+	13	RX+
18	GROUND	18	GROUND
17	RX-	19	TX-
	GROUND		GROUND

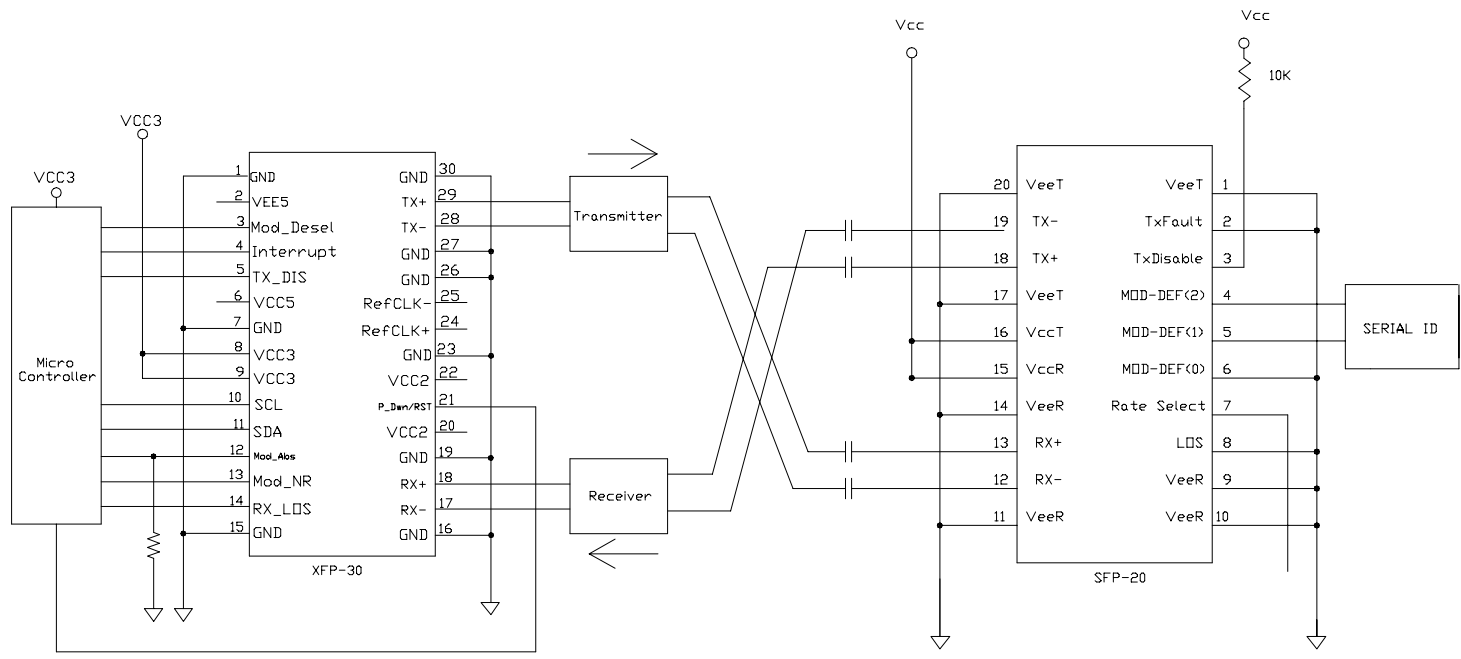
DO NOT SCALE DRAWING.

EXPERIMENTAL NO:		DIVISION ASSIGNED: dataMate Division	
TOLERANCE UNLESS OTHERWISE SPECIFIED	MATERIAL:	DRAWN BY: A. PIRILLIS	DATE: 07/31/09
METRIC (mm) INCHES	SEE NOTES	CHECKED BY: B. SKEPNEK	07/31/09
FRAC ±	FINISH:	ENGR. APPROVAL: J. NOVAK	07/31/09
DEC Xx-26		APPROVED BY: A. CHIAPPETTA	07/31/09
XXX-13		PART NO. CLASSIFICATION:	
ANGLES ±	TOOLING DWG <input type="checkbox"/>	TITLE: XFP TO SFP+ PASSIVE CABLE ASSEMBLY	
	PART DWG <input type="checkbox"/>	SIZE: C	CODE IDENT.:
	BREAK SHARP EDGES	DWG. NUMBER: DM-265-XXX	Rev.: -
	REMOVE ALL BURRS	SCALE:	SH1.1 OF 2

THE INFORMATION DISCLOSED IN THIS DOCUMENT IS PROPRIETARY TO METHODE ELECTRONICS, INC. AND MAY NOT BE USED FOR MANUFACTURE OR ANY OTHER PURPOSE WITHOUT THE WRITTEN CONSENT OF METHODE, OR IN ANY CASE CHANGE AS THEY MAY OCCUR WITH RESPECT TO PRODUCT IMPROVEMENT.



REVISION AND CHANGE EFFECTIVITY DATE				
LTR.	ECN	DESCRIPTION	DATE	APP'D.



DO NOT SCALE DRAWING.



EXPERIMENTAL NO:		DIVISION ASSIGNED: dataMATE Division	
TOLERANCE UNLESS OTHERWISE SPECIFIED		MATERIAL: SEE NOTES	
DRAWN BY: A. PIRILLIS		DATE: 07/31/09	
CHECKED BY: B. SKEPNEK		DATE: 07/31/09	
ENGR. APPROVAL: J. NOWAK		DATE: 07/31/09	
APPROVED BY: A. CHIAPPETTA		DATE: 07/31/09	
PART NO. CLASSIFICATION:		TITLE: XFP TO SFP+ PASSIVE CABLE ASSEMBLY	
SIZE: C	CODE IDENT.	DWG. NUMBER: DM-265-XXX	Rev.:
SCALE:		SHI. 2 OF 2	

THE INFORMATION DISCLOSED IN THIS DOCUMENT IS PROPRIETARY TO METHODE ELECTRONICS, INC. AND MAY NOT BE USED FOR MANUFACTURE OF ANY OTHER PART.