

| REVISION AND CHANGE EFFECTIVITY DATE | | | | |
|--------------------------------------|--------|-----------------------------------|----------|-------|
| LTR. | ECN | DESCRIPTION | DATE | APPD. |
| C | EC1517 | UPDATE LABEL AND DRAWING REVISION | 11/28/06 | RYS |
| D | EC1570 | ADDED SFP+ TO DESCRIPTION | 01/14/09 | AP |

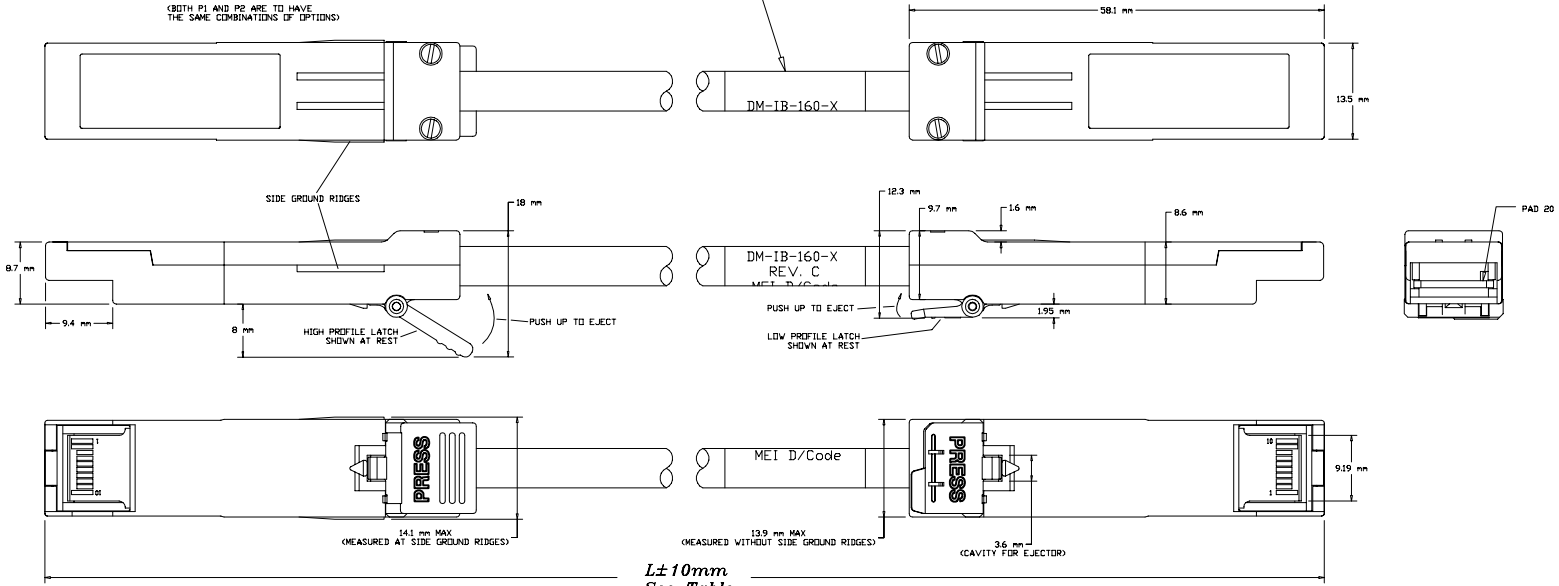
P1

P1 SHOWN WITH HIGH PROFILE LATCH AND SIDE GROUND RIDGES
(BOTH P1 AND P2 ARE TO HAVE THE SAME COMBINATIONS OF OPTIONS)

DM-IB-160-X
REV. C
MEI D/Code

P2

P2 SHOWN WITH LOW PROFILE LATCH AND SIDE GROUND RIDGES REMOVED
(BOTH P1 AND P2 ARE TO HAVE THE SAME COMBINATIONS OF OPTIONS)



±10mm
See Table

| PART NUMBER CHART | |
|-------------------|------------|
| PART NUMBER | LENGTH |
| DM-IB-160-25 X X | 0.25 Meter |
| DM-IB-160-50 X X | 0.5 Meter |
| DM-IB-160-100 X X | 1 Meter |
| DM-IB-160-200 X X | 2 Meters |
| DM-IB-160-300 X X | 3 Meters |
| DM-IB-160-400 X X | 4 Meters |
| DM-IB-160-500 X X | 5 Meters |

| WIRING CHART | | | |
|--------------|--------|--------|--------|
| P1 END | | P2 END | |
| P1 PAD | SIGNAL | P2 PAD | SIGNAL |
| 12 | RX- | 19 | TX- |
| 13 | RX+ | 18 | TX+ |
| GROUND | | GROUND | |
| 18 | TX+ | 13 | RX+ |
| 19 | TX- | 12 | RX- |
| GROUND | | GROUND | |

EXAMPLE: DM-IB-160-25 (OPT1) (OPT2)
 BLANK-HIGH PROFILE LATCH
 LP-LOW PROFILE LATCH
 BLANK-WITH SIDE GROUND RIDGES
 GND-SIDE GROUND RIDGES REMOVED

- NOTES:
- CABLE:
 CONDUCTOR: TWO TWISTED PAIRS, 24 AWG SOLID SILVER PLATED COPPER.
 INSULATION: FOAM POLYOLEFIN.
 DIAMETER: 6.86 mm NOMINAL. COLOR: BLACK
 DIFFERENTIAL IMPEDENCE: 100±5 OHMS @1DR.
 2. HOOD: ZINC DIE CASTING, NICKEL PLATING.
 3. LATCH: ABS RESIN UL94V, COLOR IN BLACK.
 4. P.C.B.: 4 LAYERS, FR4, 30μ' GOLD ON GOLD FINGERS, COLOR: RED.
 5. SERIAL ID IC: CATALYST CAT24WC02 or ATMEL AT24C02.
 6. PASSIVE TYPE.



DO NOT SCALE DRAWING.

| | | | |
|--|--------------------------------------|---|----------------|
| EXPERIMENTAL NO: | | DIVISION ASSIGNED: dataMATE Division | |
| TOLERANCE UNLESS OTHERWISE SPECIFIED | MATERIAL: | DRAWN BY: A. PIRILLIS | DATE: 01/06/04 |
| METRIC (mm) INCHES | SEE NOTES | CHECKED BY: B. SKEPNEK | 01/06/04 |
| FRAC ± | FINISH: | ENGR. APPROVAL: J. NOVAK | 01/06/04 |
| DEC X±.26 | | APPROVED BY: A. CHIAPPETTA | 01/06/04 |
| XXX-.13 | | PART NO. CLASSIFICATION: | |
| ANGLES ± | TOOLING DWG <input type="checkbox"/> | TITLE: SFP/SFP+ PASSIVE CABLE ASSEMBLY | |
| | PART DWG <input type="checkbox"/> | SIZE: C | CODE IDENT.: |
| | BREAK SHARP EDGES REMOVE ALL BURRS | DWG. NUMBER: | DM-IB-160-X |
| | | Rev.: | D |
| <small>THE INFORMATION DISCLOSED IN THIS DOCUMENT IS PROPRIETARY TO METHODE ELECTRONICS, INC. AND MAY NOT BE USED FOR MANUFACTURE OR ANY OTHER PURPOSE WITHOUT THE WRITTEN CONSENT OF METHODE. DETAILS SUBJECT TO CHANGE AS THEY MAY CHANGE WITH RESPECT TO PRODUCT IMPROVEMENT.</small> | | SCALE: | SH1.1 OF 1 |