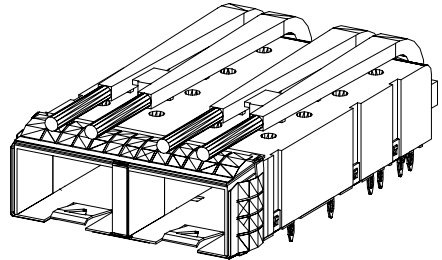
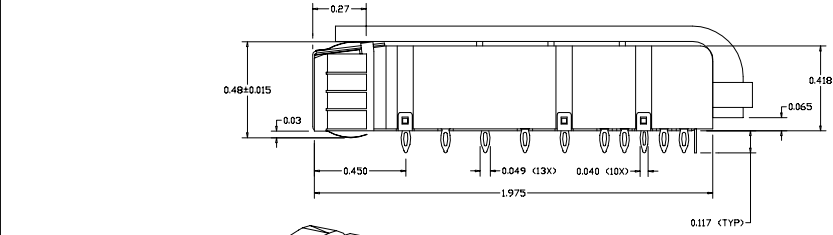
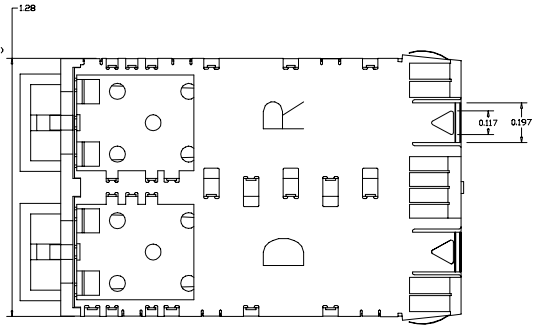
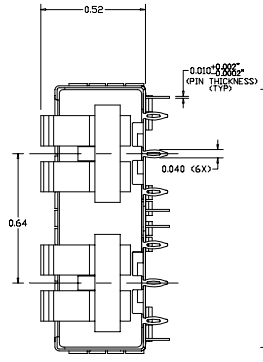
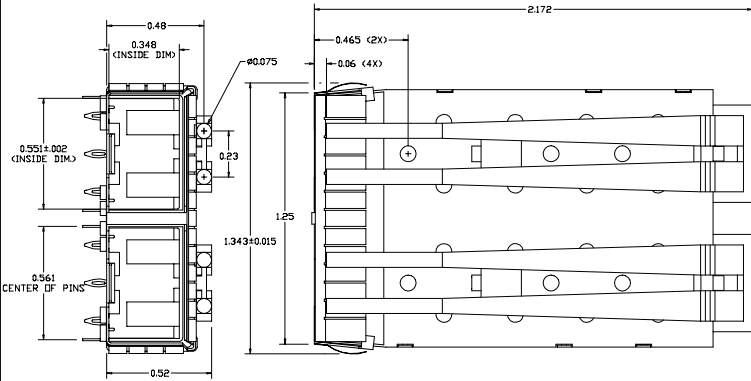


REVISION AND CHANGE EFFECTIVITY DATE				
LTR.	ECN	DESCRIPTION	DATE	APP'D.



ORDERING INFO:

DM7050-2-D-L-X

SERIES
 DENOTES 2 PORTS
 DENOTES DIE CAST DESIGN
 L - WITH LIGHT PIPES INSTALLED (2 PAIRS)
 BLANK (OMIT) - WITHOUT LIGHTPIPES

PLATING OPTIONS:

- ALL ARE ROHS COMPLIANT
- R FOR 100µIN MATTE TIN OVER 50µIN NICKEL
 NOT INTENDED FOR REFLOW
 WAVE SOLDER ONLY - WAVE TEMP. 260°C FOR 6 SEC. MAX
 - G FOR FLASH GOLD OVER 50µIN NICKEL
 WITH LIGHTPIPE; NOT INTENDED FOR REFLOW
 WAVE SOLDER ONLY - WAVE TEMP. 260°C FOR 6 SEC. MAX
 WITHOUT LIGHTPIPE; CAGE IS REFLOW COMPATIBLE
 MAX REFLOW TEMP. 260°C
 - N FOR 100µIN NICKEL
 WITH LIGHTPIPE; NOT INTENDED FOR REFLOW
 WAVE SOLDER ONLY - WAVE TEMP. 260°C FOR 6 SEC. MAX
 WITHOUT LIGHTPIPE; CAGE IS REFLOW COMPATIBLE
 MAX REFLOW TEMP. 260°C

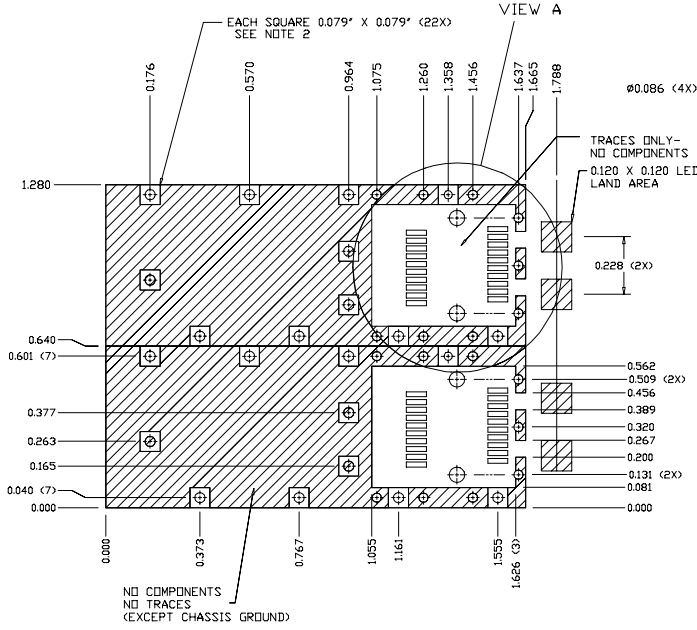
MATERIAL AND FINISH:

- 1) HOUSING: ZINC DIE CAST - SEE ORDERING INFO FOR PLATING OPTIONS
- 2) BOTTOM SHIELD: .010" THICK BRASS, FULL HARD. - SEE ORDERING INFO FOR PLATING OPTIONS
 TOLERANCE: +0.002"/-0.0002" (INCLUDING PINS AND GROUNDING TABS)
- 3) LIGHT PIPE: CLEAR POLYCARBONATE - NOT INTENDED FOR REFLOW - WAVE SOLDER ONLY
- 4) SHOWN WITH LIGHTPIPES
- 5) CAGE IS STAMPED "R" FOR ROHS COMPLIANCE
- 6) OPERATING AND STORAGE TEMPERATURE: -40°C TO +160°C W/OUT LIGHTPIPE, +125°C WITH LIGHTPIPE
- 7) TEMPERATURE FROM WAVE SOLDER NOT TO EXCEED 125°C AT LIGHTPIPE
- 8) GASKET: 0.002" THICK BERYLLIUM COPPER
 GASKET IS SPOT WELDED ONTO CAGE-SEE ORDERING INFO FOR PLATING OPTIONS

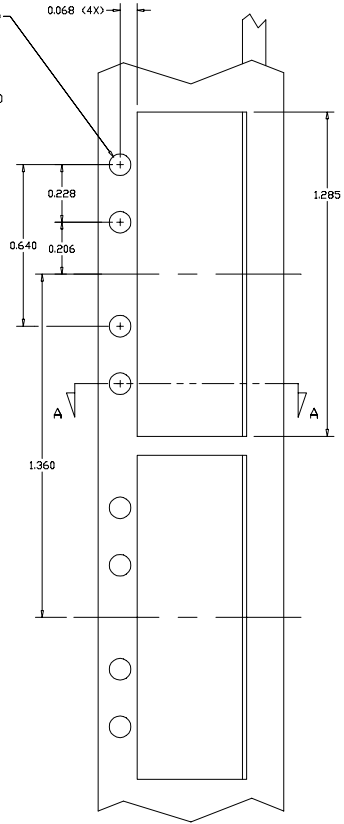


DO NOT SCALE DRAWING.		EXPERIMENTAL NO:		DIVISION ASSIGNED: dataMATE Division	
TOLERANCE UNLESS OTHERWISE SPECIFIED	MATERIAL:	DATE:	DRAWN BY: A. PIRILLIS 04/18/08		
METRIC INCHES	SEE NOTES	DATE:	CHECKED BY: B. SKEPNEK 04/18/08		
FRACTIONAL DEC. XX ± .010		DATE:	ENGR. APPROVAL: J. NOWAK 04/18/08		
± .005	FINISH:	DATE:	APPROVED BY: A. CHIAPPETTA 04/18/08		
ANGLES ±		DATE:	PART NO. CLASSIFICATION:		
TOOLING DWG □			TITLE: SFP+ EMI CAGE (IMPROVED) 2 PORT MODULE WITH GASKET		
PART DWG □			SIZE: C	CODE IDENT.	DWG. NUMBER: DM7050-2-D-L-X
BREAK SHARP EDGES			SCALE:		Rev.:
REMOVE ALL BURRS					SH1.1 OF 2
<small>THE INFORMATION DISCLOSED IN THIS DOCUMENT IS PROPRIETARY TO METHODE ELECTRONICS, INC. AND MAY NOT BE USED FOR MANUFACTURE OR ANY OTHER PURPOSE WITHOUT THE WRITTEN CONSENT OF METHODE. DETAILS SUBJECT TO CHANGE AS THEY MAY VARY WITH RESPECT TO PRODUCT IMPROVEMENT.</small>					

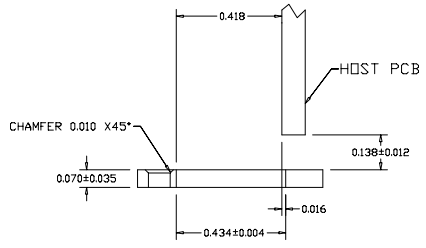
REVISION AND CHANGE EFFECTIVITY DATE				
LTR.	ECN	DESCRIPTION	DATE	APP'D.



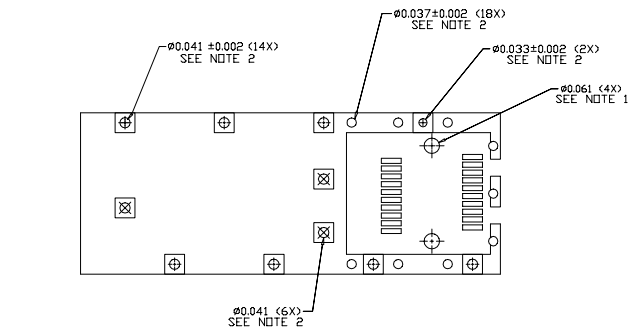
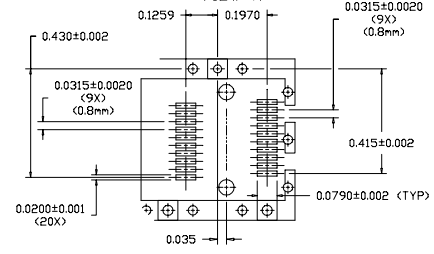
RECOMMENDED PANEL CUTOUT



SECTION A-A



VIEW A



- NOTES:
- 1) THRU HOLES, PLATING OPTIONAL
 - 2) PADS AND VIAS ARE CHASSIS GROUND, 40 PLACES

DO NOT SCALE DRAWING.

EXPERIMENTAL NO:		DIVISION ASSIGNED: dataMate Division	
TOLERANCE UNLESS OTHERWISE SPECIFIED		DRAWN BY: DATE	
METRIC INCHES		A. PIRILLIS 04/18/08	
± DEC. XX ± .010		CHECKED BY: DATE	
± ANGLES ± .005		B. SKEPNEK 04/18/08	
TOOLING DWG □		ENGR. APPROVAL: DATE	
PART DWG □		J. NOWAK 04/18/08	
BREAK SHARP EDGES REMOVE ALL BURRS		APPROVED BY: DATE	
		A. CHIAPPETTA 04/18/08	
		PART NO. CLASSIFICATION:	
		TITLE SFP+ EMI CAGE (IMPROVED) 2 PDRT MODULE WITH GASKET	
SIZE C	CODE IDENT.	DWG. NUMBER DM7050-2-D-L-X	Rev.
SCALE:		SHI.2 OF 2	



THE INFORMATION DISCLOSED IN THIS DOCUMENT IS PROPRIETARY TO METHODE ELECTRONICS, INC. AND MAY NOT BE USED FOR MANUFACTURE OR ANY OTHER PURPOSE WITHOUT THE WRITTEN CONSENT OF METHODE. DRILLS SUBJECT TO CHANGE AS THEY MAY VARY WITH RESPECT TO PRODUCT VARIATIONS.