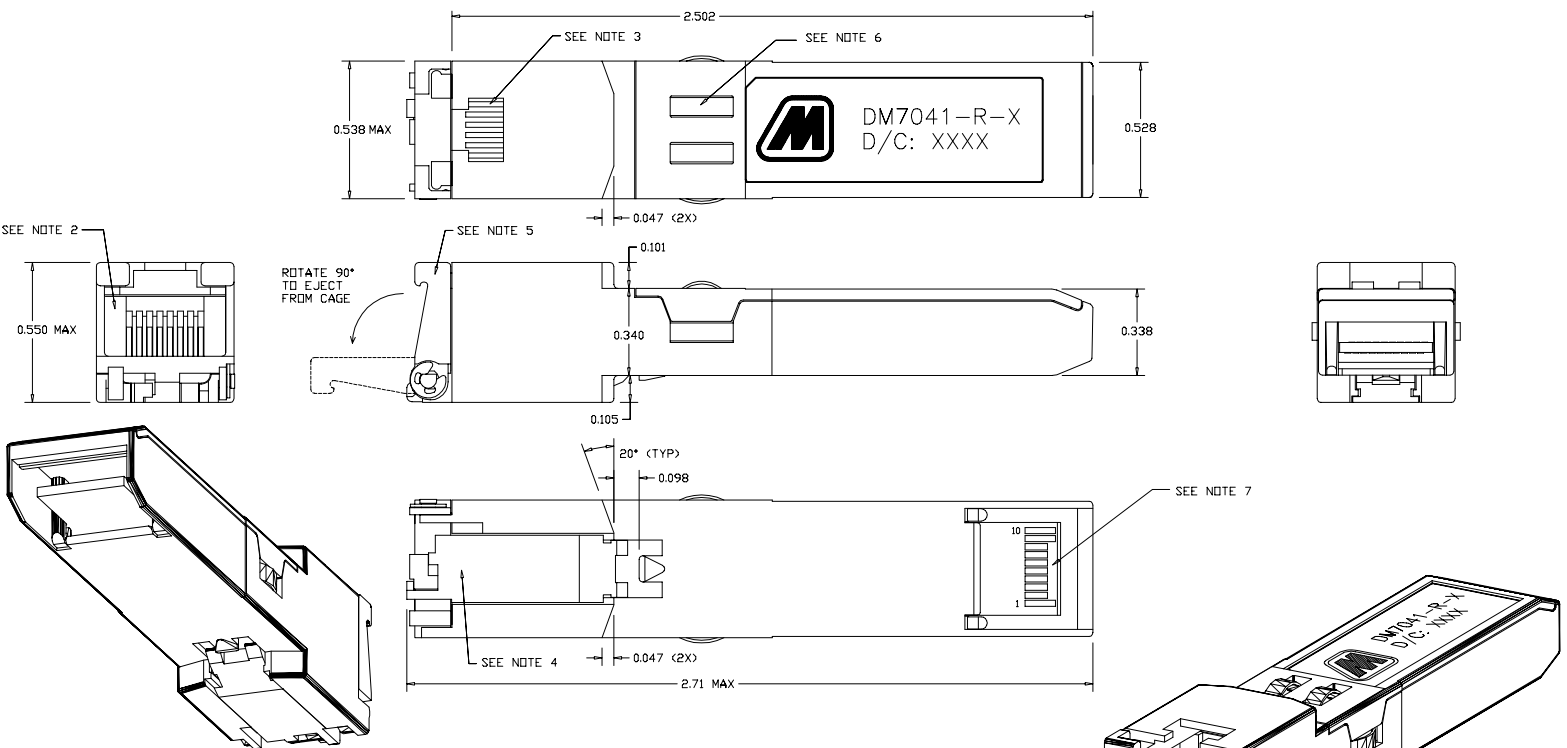


REVISION AND CHANGE EFFECTIVITY DATE				
LTR.	ECN	DESCRIPTION	DATE	APP'D.
A	EC1471	MATERIALS CHANGE	2/2/06	RVS
B	EC1559	CHANGED TO IMPROVED SLIDER MECHANISM	06/16/08	AP



NOTES:

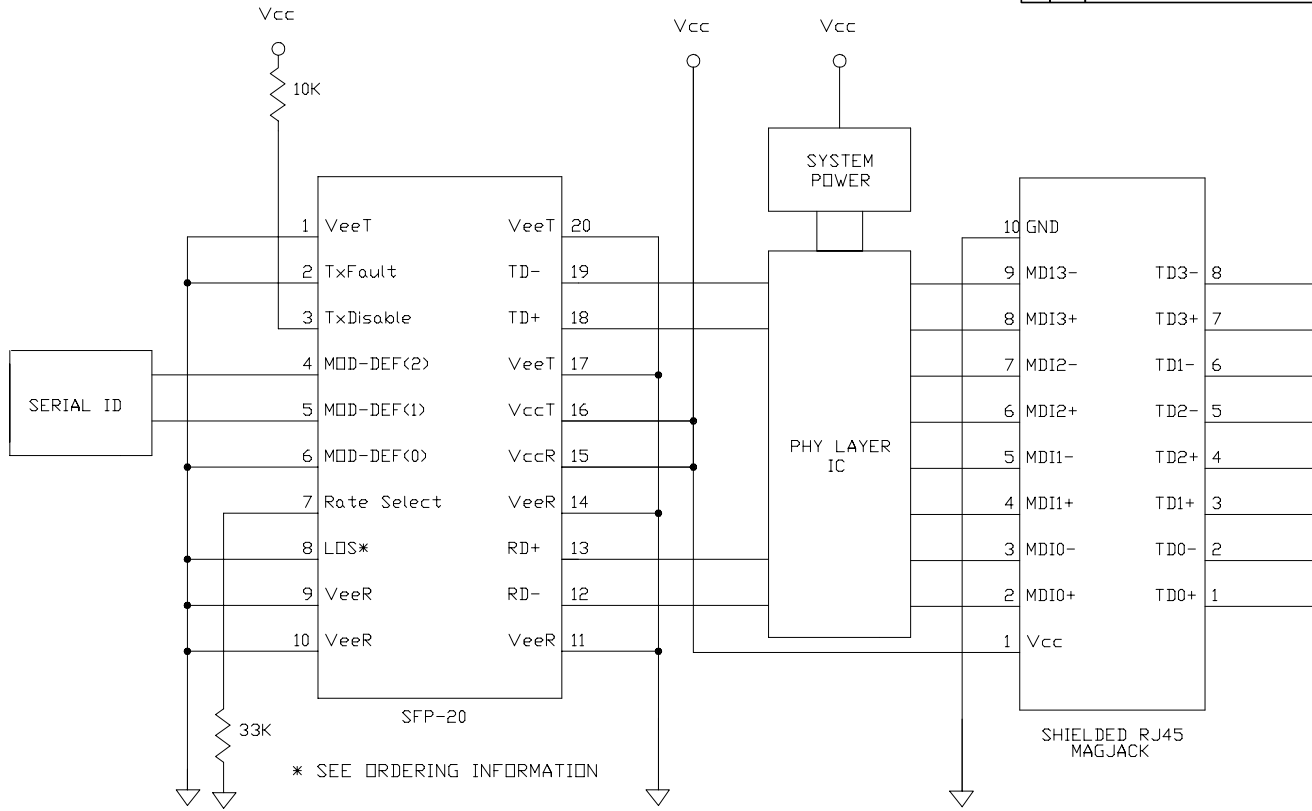
- 1) HOUSING MATERIAL: ZINC DIE CAST
PLATING: NICKEL OVER COPPER
- 2) RJ45 INSULATOR MATERIAL: STANYL TE250F6-RATED 94V-0; COLOR: BLACK
- 3) RJ45 CONTACTS: PHOSPHOR BRONZE
PLATING: 50µin MIN. HARD GOLD ON CONTACT AREA,
MATTE TIN ON SOLDER AREA
- 4) EJECTOR ACTUATOR: ZINC DIE CAST
PLATING: NICKEL OVER COPPER
- 5) BAIL LATCH: MIM STEEL
- 6) GROUNDING TABS: BERYLLIUM COPPER
PLATING: 50µin. NICKEL
- 7) PCB-.039" THICK; 30µin. MIN GOLD PLATING OVER
50µin. MIN NICKEL ON CONTACT AREA
- 8) ALL COMPONENTS ARE PB FREE
SOLDER PASTE: SAC305 ALLOY

DO NOT SCALE DRAWING.

EXPERIMENTAL NO:		DIVISION ASSIGNED: dataMate Division	
TOLERANCE UNLESS OTHERWISE SPECIFIED METRIC ± INCHES ± DEC. XX ± .010 ANGLES ± XXX ± .005 TOOLING DWG □ PART DWG □ BREAK SHARP EDGES REMOVE ALL BURRS		DRAWN BY: A. PIRILLIS 11/8/05 CHECKED BY: J. NOWAK 11/8/05 ENGR. APPROVAL: B. SKEPNEK 11/8/05 APPROVED BY: A. CHIAPPETTA 11/8/05 MATERIAL: SEE NOTES FINISH: PART NO. CLASSIFICATION:	
THE INFORMATION DISCLOSED IN THIS DOCUMENT IS PROPRIETARY TO METHODE ELECTRONICS, INC. AND MAY NOT BE USED FOR MANUFACTURE OR ANY OTHER PURPOSE WITHOUT THE WRITTEN CONSENT OF METHODE. DETAILS SUBJECT TO CHANGE AS THEY MAY CHANGE WITH RESPECT TO PRODUCT IMPROVEMENT.		DATE: 11/8/05 METHODE ELECTRONICS, INC. TITLE: SFP TO RJ45 MODULE WITH BAIL LATCH RoHS COMPLIANT SIZE: C CODE IDENT. DWG. NUMBER: DM7041-R-X Rev. B SCALE: SH1.1 OF 2	



REVISION AND CHANGE EFFECTIVITY DATE				
LTR.	ECN	DESCRIPTION	DATE	APPD.
A	EC1471	MATERIALS CHANGE	2/2/06	RVS
B	EC1559	CHANGED TO IMPROVED SLIDER MECHANISM	06/16/08	AP



ORDERING INFORMATION

DM7041-R-X

- BLANK- LOS CONNECTED TO GND (NORMAL OPERATION)
- L- LOS CONNECTED TO LINK1000 TO INDICATE LINK ON CABLE SIDE
- RoHS COMPLIANT

DO NOT SCALE DRAWING.

EXPERIMENTAL NO:		DIVISION ASSIGNED: dataMate Division	
TOLERANCE UNLESS OTHERWISE SPECIFIED		DRAWN BY: A. PIRILLIS DATE: 11/8/05	
MATERIAL: SEE NOTES		CHECKED BY: J. NOWAK 11/8/05	
METRIC UNLESS OTHERWISE SPECIFIED		ENGR. APPROVAL: B. SKEPNEK 11/8/05	
FRACS: DEC. XX ± .010 ANGLES ± PART DWG □ TOOLING DWG □ BREAK SHARP EDGES REMOVE ALL BURRS		APPROVED BY: A. CHIAPPETTA 11/8/05	
FINISH:		PART NO. CLASSIFICATION:	
THE INFORMATION DISCLOSED IN THIS DOCUMENT IS PROPRIETARY TO METHODE ELECTRONICS, INC. AND MAY NOT BE USED FOR MANUFACTURE OR ANY OTHER PURPOSE WITHOUT THE WRITTEN CONSENT OF METHODE. DRILLS SUBJECT TO CHANGE AS THEY MAY OCCUR WITH RESPECT TO PRODUCT IMPROVEMENT.		TITLE: SFP TO RJ45 MODULE WITH BAIL LATCH RoHS COMPLIANT	
SIZE: C	CODE IDENT.	DWG. NUMBER: DM7041-R-X	Rev. B
SCALE:		SH1.2 OF 2	

