



Methode's New RK Series Power Connectors

Methode is...

POWER possibilities.



Methodé's New RK Series Power Connectors

RK Series contacts are available in multiple configurations and can be easily adapted to special applications. The contacts are currently available in conventional crimp and threaded style terminations, PCB mount, and direct press-in configurations.

Special Features

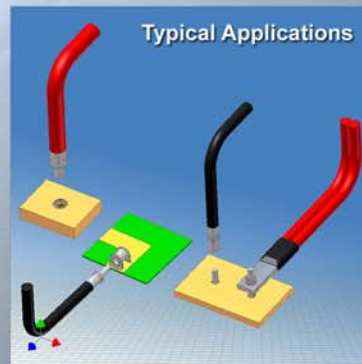
- Low Insertion Force
- Multiple Points of Contact at Interface with Pin
- Very Reliable and Durable Interconnection
- Generous Lead-in to Aid with Mating and Alignment
- Low Voltage Drop
- Easily Adaptable to Custom Applications
- Designed to Use Industry Standard Crimp and Press-in Tooling

Materials

Press-in Style Bodies and Pin Contacts: Brass Alloy, Bright Tin Plated

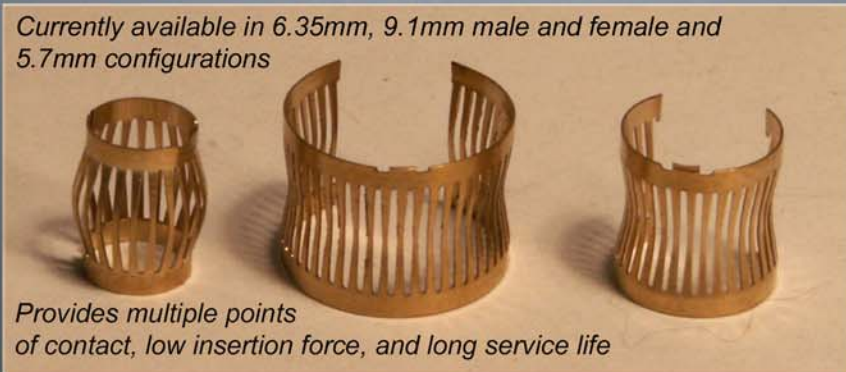
Crimp Contacts: Copper Alloy, Silver Plated

Contact Element: Copper Alloy, Gold Flash Plated



Powerband Contact Element

Currently available in 6.35mm, 9.1mm male and female and 5.7mm configurations



Provides multiple points of contact, low insertion force, and long service life

Existing Designs 100 and 200 Amp Configuration

Standard pin and socket contacts with crimp termination:
Size 6.35mm, 9.1mm, and 5.7mm

Press-in pin contacts:
Size 6.35mm, 9.1mm, and 5.7mm

Press-in socket contacts:
Size 6.35mm, 9.1mm, and 5.7mm

Right angle board mount, solder and compliant tail termination



Methodé
Power Solutions
Group

Methodé Power Solutions Group
Phone: (408) 453-9500
Email: sales@cablecotech.com
www.cablecotech.com

Methodé's New RK Series Power Connectors



Methodé Power Solutions Group - RK Series Contacts

RK Socket Inserts

Wire Size		RK Contact Size	Part Number	Current Rating	Mounting Hole Size
AWG	mm2				
RK Press-In Insert Sockets					
4	21.2	5.7mm (.224")	CD-1686-01	125 Amps	9.15mm (.36")
4	21.2	6.35mm (.250")	CD-1687-01	125 Amps	11.00mm (.43")
0	53.5	9.1mm (.357")	CD-1640-01	200 Amps	12.70mm (.50")

RK Crimp Socket Contacts

Wire Size		RK Contact Size	Part Number	Current Rating
AWG	mm2			
4	21.2	5.7mm (.224")	CD-1634-01	125 Amps
4	21.2	6.35mm (.250")	CD-1688-01	125 Amps
0	53.5	9.1mm (.357")	CD-1690-01	200 Amps

RK Threaded Sockets

Wire Size		RK Contact Size	Part Number	Current Rating	Thread Size (Internal)
AWG	mm2				
0	53.5	9.1mm (.357")	CD-1680-01	200 Amps	1/4-20 UNC
0	53.5	9.1mm (.357")	CD-1683-01	200 Amps	M6 X 1

RK Pin Inserts

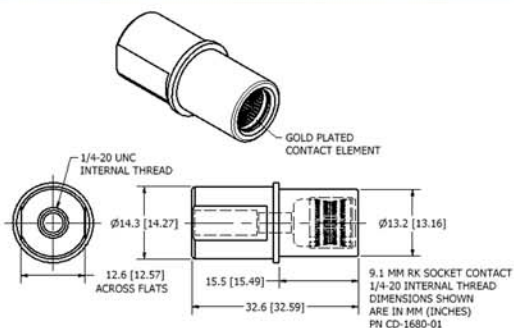
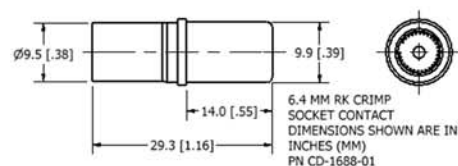
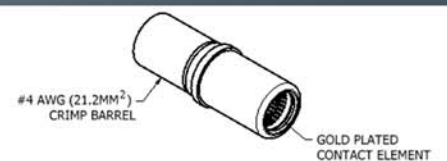
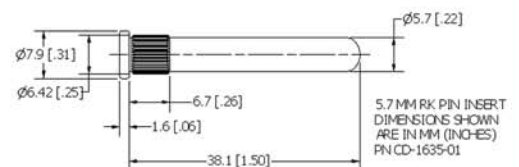
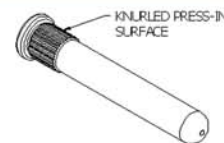
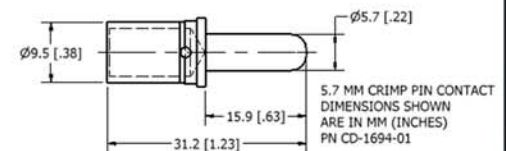
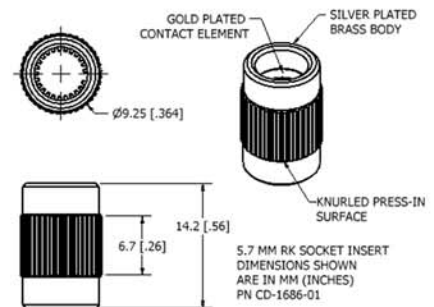
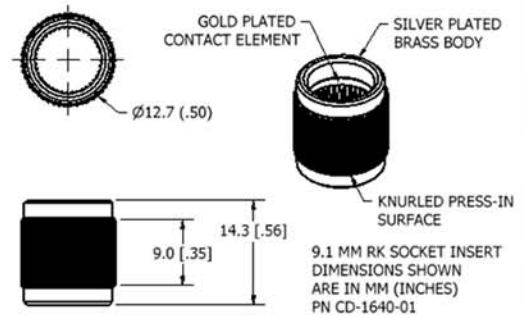
Wire Size		RK Contact Size (Pin Diameter)	Part Number	Current Rating	Pin Length
AWG	mm2				
4	21.2	5.7mm (.224")	CD-1635-01	125 Amps	30.0mm (1.20")
4	21.2	6.35mm (.250")	CD-1611-01	125 Amps	30.0mm (1.20")

RK Crimp Pins

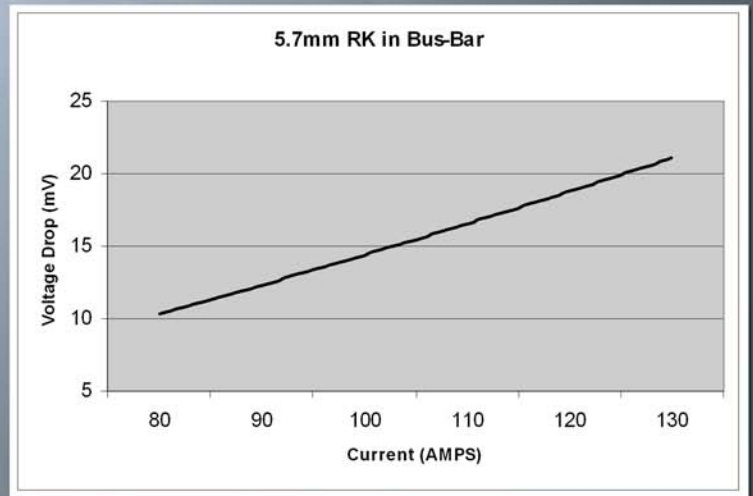
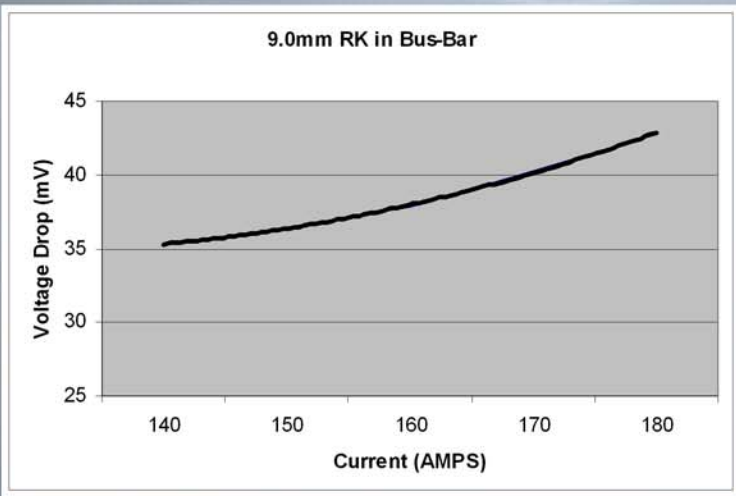
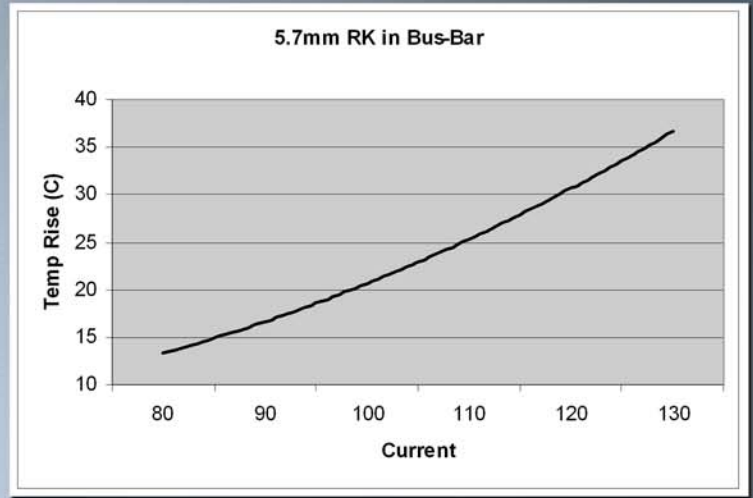
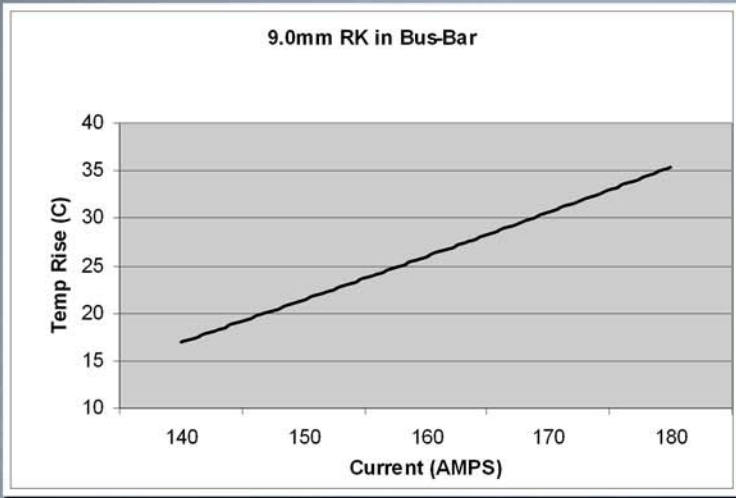
Wire Size		RK Contact Size (Pin Diameter)	Part Number	Current Rating	Pin Length
AWG	mm2				
4	21.2	5.7mm (.224")	CD-1694-01	125 Amps	15.9mm (.63")
4	21.2	6.35mm (.250")	CD-1689-01	125 Amps	15.9mm (.63")
0	53.5	9.1mm (.357")	CD-1691-01	200 Amps	14.0mm (.55")

RK Threaded Pins

Wire Size		RK Contact Size (Pin Diameter)	Part Number	Current Rating	Thread Size (Internal)
AWG	mm2				
0	53.5	9.1mm (.357")	CD-1692-01	200 Amps	1/4-20 UNC
0	53.5	9.1mm (.357")	CD-1684-01	200 Amps	M6 X 1



Methode's New RK Series Power Connectors



**Methode
Power Solutions
Group**

Methode Power Solutions Group
Phone: (408) 453-9500
Email: sales@cablecotech.com
www.cablecotech.com