

Parallel PowerCable (PPC)™

Parallel PowerCable (PPC) is a flexible, low-inductance cable designed for power distribution and grounding applications. PPC's unique construction offers significantly lower inductance than equivalent round cable. Tin-plated wires are extruded in parallel allowing more current per Circular Mil Area (CMA) than round cable. PPC's innovative design makes it lighter than conventional power cable and, in many applications, the flat construction is easier to route and can improve system airflow.



www.cablecotech.com

✓RoHS Compliant



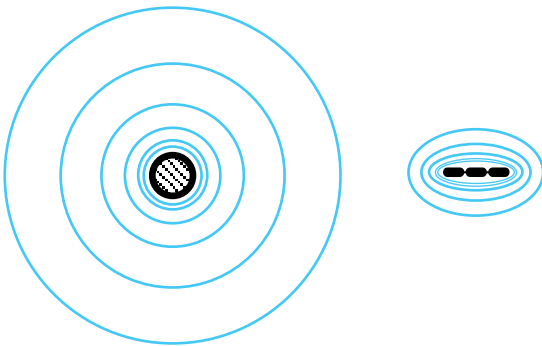
A
Company

Construction:

- Lower Inductance than Round Cable
- Highly Flexible
- Durable TPE (Thermoplastic Elastomer) Jacket
- High Abrasion Resistance
- Tinned Copper Wires
- UL and CSA Rated to 600 Volts, 105°C
- UL VW-1, CSA FT1
- Jacket Oxygen Index is 30%
- UL Style 21078
- Available in Black or Red

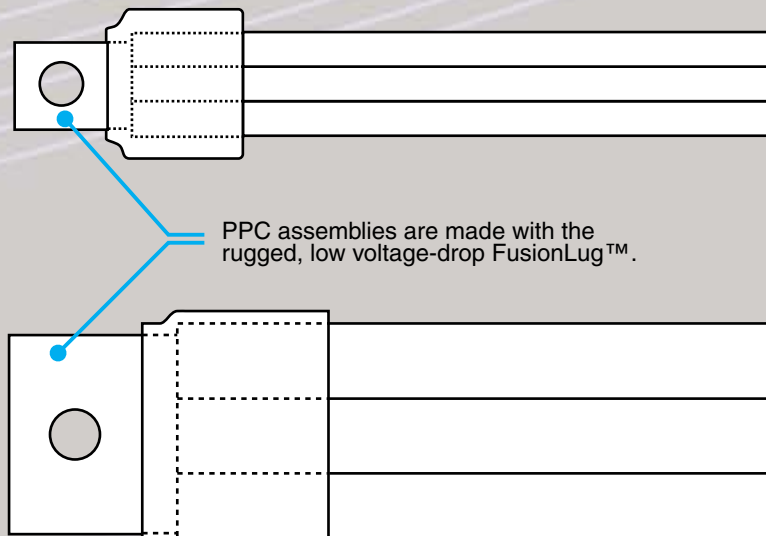
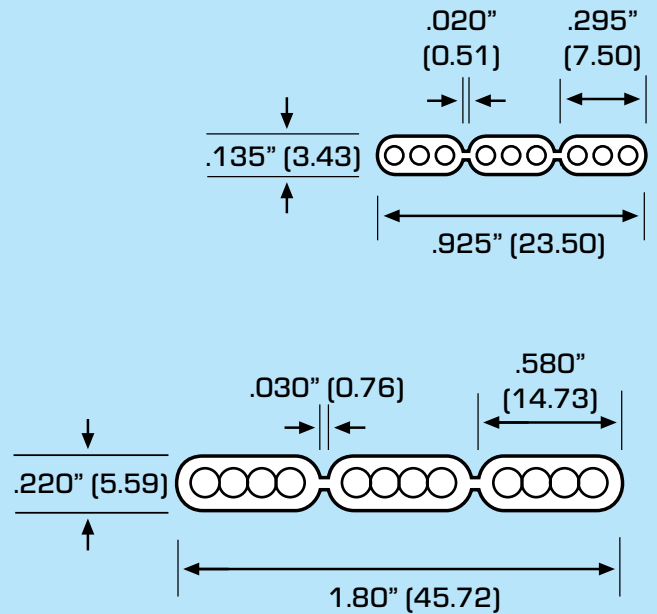
Inductance Comparison Round Cable vs. PPC

PPC has about 1/2 the inductance of equivalent ampacity-rated round cable. Lower inductance means faster power supply response to quick current changes. More importantly, the high frequency current present in most DC current-carrying cables results in radiated noise, which is undesirable. PPC minimizes this unwanted radiated noise.



| INDUCTANCE COMPARISON: ROUND CABLE VS PPC | | | | |
|---|-------------------------------|------------------------|--|----------------------|
| CURRENT | ROUND CABLE | ROUND CABLE INDUCTANCE | PPC | PPC INDUCTANCE |
| 100 AMPS | 4 AWG (21.2mm ²) | 215 nh/ft (710 nh/m) | 3 POD: 9/16 AWG (9/1.3mm ²) | 119 nh/ft (393 nh/m) |
| 350 AMPS | 4/0 AWG (107mm ²) | 190 nh/ft (627 nh/m) | 3 POD: 12/10 AWG (12/5.3mm ²) | 112 nh/ft (370 nh/m) |

Dimensions in Inches (mm)



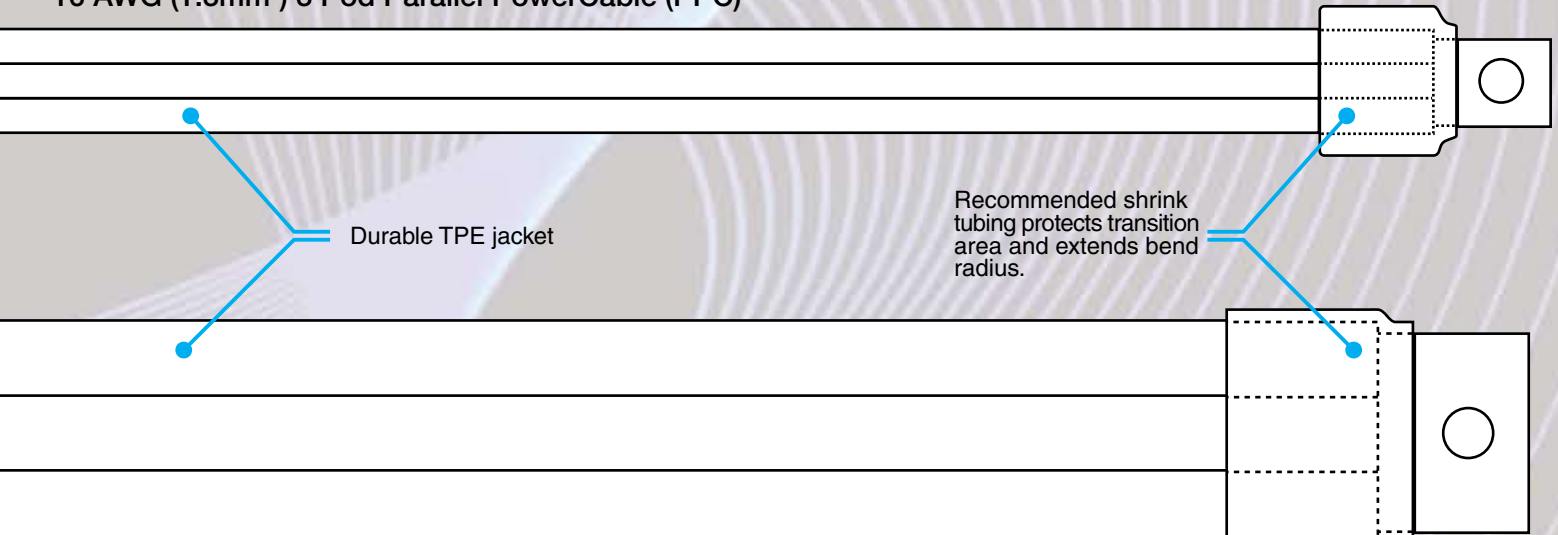
PPC is available in red and black and in two sizes: 9/16 AWG (9/1.3mm²) and 12/10 AWG (12/5.3mm²). Each PPC size is divided into 3 “pods” which isolate parallel wires into individual groups for design flexibility. All PPC assemblies are manufactured with FusionLugs™.

| 9/16 AWG (9/1.3mm ²) | | | | | | |
|----------------------------------|----------------------------------|-------------|---------------------|-------|--------------------------|--------------------------------|
| PART NUMBER | CABLE SIZE | NO. OF PODS | STRAND CONSTRUCTION | COLOR | *NOMINAL CAPACITY (AMPS) | RESISTANCE (OHMS PER 1000 FT.) |
| CD-0321-3B | 9/16 AWG (9/1.3mm ²) | 3 | 65/34 | Black | 110 | 0.52 (1.7 OHMS/KM) |
| CD-0324-3R | 9/16 AWG (9/1.3mm ²) | 3 | 65/34 | Red | 110 | 0.52 (1.7 OHMS/KM) |
| CD-0322-2B | 6/16 AWG (6/1.3mm ²) | 2 | 65/34 | Black | 85 | 0.78 (2.6 OHMS/KM) |
| CD-0325-2R | 6/16 AWG (6/1.3mm ²) | 2 | 65/34 | Red | 85 | 0.78 (2.6 OHMS/KM) |
| CD-0323-1B | 3/16 AWG (3/1.3mm ²) | 1 | 65/34 | Black | 50 | 1.56 (5.1 OHMS/KM) |
| CD-0326-1R | 3/16 AWG (3/1.3mm ²) | 1 | 65/34 | Red | 50 | 1.56 (5.1 OHMS/KM) |

| 12/10 AWG (12/5.3mm ²) | | | | | | |
|------------------------------------|------------------------------------|-------------|---------------------|-------|--------------------------|--------------------------------|
| PART NUMBER | CABLE SIZE | NO. OF PODS | STRAND CONSTRUCTION | COLOR | *NOMINAL CAPACITY (AMPS) | RESISTANCE (OHMS PER 1000 FT.) |
| CD-0327-3B | 12/10 AWG (12/5.3mm ²) | 3 | 105/30 | Black | 335 | 0.1 (0.33 OHMS/KM) |
| CD-0330-3R | 12/10 AWG (12/5.3mm ²) | 3 | 105/30 | Red | 335 | 0.1 (0.33 OHMS/KM) |
| CD-0328-2B | 8/10 AWG (8/5.3mm ²) | 2 | 105/30 | Black | 250 | 0.15 (0.50 OHMS/KM) |
| CD-0331-2R | 8/10 AWG (8/5.3mm ²) | 2 | 105/30 | Red | 250 | 0.15 (0.50 OHMS/KM) |
| CD-0329-1B | 4/10 AWG (4/5.3mm ²) | 1 | 105/30 | Black | 150 | 0.29 (0.96 OHMS/KM) |
| CD-0332-1R | 4/10 AWG (4/5.3mm ²) | 1 | 105/30 | Red | 150 | 0.29 (0.96 OHMS/KM) |

* Nominal current capacity tested at 30°C rise above ambient. Test cable was 18 inches long and terminated with FusionLugs on both ends.

16 AWG (1.3mm²) 3 Pod Parallel PowerCable (PPC)

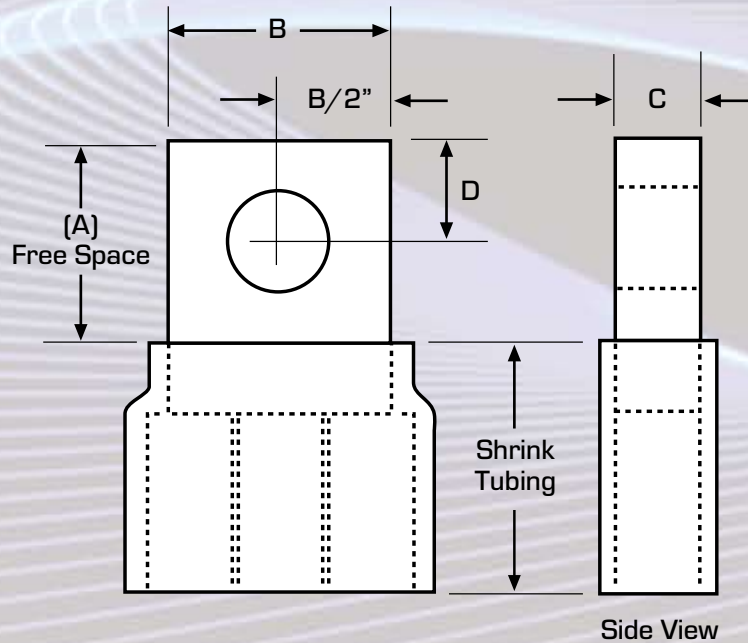


10 AWG (5.3mm²) 3 Pod Parallel PowerCable (PPC)

✓ RoHS Compliant

A

Parallel PowerCable FusionLug



All dimensions are in inches. (mm)

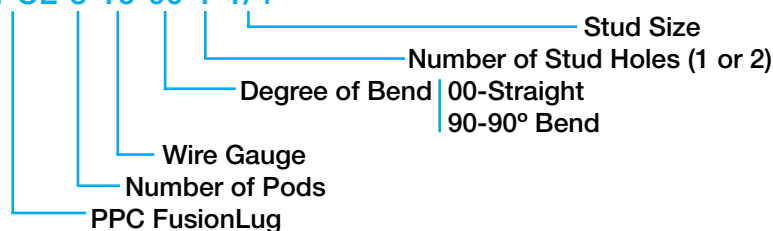
| NO. OF PODS | WIRE GAUGE | PART NUMBER | ONE HOLE STANDARD | | | | STUD HOLE | | CLEARANCE HOLE | | SHRINK TUBING |
|-------------|--------------------------------|------------------|-------------------|---------------|-------------|-------------|-----------|--------|----------------|--------------|---------------|
| | | | A | B | C | D | STD. | METRIC | STD. | METRIC | |
| 3 | 9/16 (9/1.3mm ²) | PPCL-3-16-XX-X-X | 1.00 (25.4) | 0.850 (21.6) | 0.110 (2.8) | 0.43 (10.9) | 1/4 | M6 | 0.265 (6.7) | 0.257 (6.5) | 1.00 (25.4) |
| 2 | 6/16 (6/1.3mm ²) | PPCL-2-16-XX-X-X | 1.00 (25.4) | 0.550 (14.0) | 0.100 (2.5) | 0.28 (7.1) | 1/4 | M6 | 0.265 (6.7) | 0.257 (6.5) | 1.00 (25.4) |
| 1 | 3/16 (3/1.3mm ²) | PPCL-1-16-XX-X-X | 1.00 (25.4) | 0.350 (8.9)** | 0.100 (2.5) | 0.18 (4.6) | #10 | M5 | 0.200 (5.1) | 0.209 (5.3) | 1.00 (25.4) |
| 3 | 12/10 (12/5.3mm ²) | PPCL-3-10-XX-X-X | 1.25 (31.8) | 1.600 (40.6) | 0.180 (4.6) | 0.80 (20.3) | 3/8 | M10 | 0.397 (10.1) | 0.413 (10.5) | 1.50 (38.1) |
| 2 | 8/10 (8/5.3mm ²) | PPCL-2-10-XX-X-X | 1.25 (31.8) | 1.250 (31.8) | 0.180 (4.6) | 0.63 (16.0) | 3/8 | M10 | 0.397 (10.1) | 0.413 (10.5) | 1.50 (38.1) |
| 1 | 4/10 (4/5.3mm ²) | PPCL-1-10-XX-X-X | 1.25 (31.8) | 0.500 (12.7) | 0.160 (4.1) | 0.25 (6.4) | 1/4 | M6 | 0.265 (6.7) | 0.257 (6.5) | 1.50 (38.1) |

*B/2 = Half of B

**#10 Stud Hole or Smaller

PPC FusionLug Part Numbering Method:

PPCL-3-16-00-1-1/4



Tolerances:

| | |
|-----------------------|---------------------|
| A = Length | +0.1/-0 (+2.5/-0) |
| B = Width | +/- 0.02 (+/- 0.51) |
| C = Thickness | Max |
| Hole Diameter, B/2, D | +/- 0.01 (+/- 0.25) |

Bent lugs available upon request.

Two hole standards are available upon request.

Terminology: 9/16 means 9 conductors of 16 AWG, 3 per pod
12/10 means 12 conductors of 10 AWG, 4 per pod.

RoHS Compliant

North and South America

Cableco Technologies
1750 Junction Avenue
San Jose, CA 95112
Phone: 408-453-9500
Fax: 408-943-6655
Email: sales@cablecotech.com
Web: www.cablecotech.com

Europe

Method Electronics Ireland, Ltd.
Unit H, Crossagalla Business Park
Ballysimon Rd. • Limerick, Ireland
Phone: +353 (0) 61 401222
Fax: +353 (0) 61 401942
Email: info@method.com

Far East

Method Electronics Far East, Pte. Ltd.
60 Alexandra Terrace, #02-09A, The Comtech
Singapore 118502
Phone: (65) 6861 5444
Fax: (65) 6861 4777
Email: info@method.com