



**METHODE ELECTRONICS, INC.**  
Data Solutions Group



Methode's CTI line of Wall Mount/Swing Out Enclosures are designed to support heavier equipment and cabling applications. The wall mounts offer a high weight capacity when mounted to the wall, and an increased capacity when free standing (casters must be used).

Wall Mount/Swing Out Enclosures have the following mounted weight capacities:

1100WMSO, 11 RU, 250 lbs.

1800WMSO, 18 RU, 300 lbs.

2500WMSO, 25 RU, 350 lbs.

# ME WALL MOUNT/SWING OUT ENCLOSURES

## Construction

- Three "piece" sectional design
- Heavy duty bolt hinges between wall and middle section
- Reversible mounting for right or left hand swing

## Cable Management

- 1 – 4" conduit knockouts on top and bottom of rear section
- 1 – 4" conduit knockouts on rear section
- A variety of 19" cable organizers (optional)

## Cooling and Power

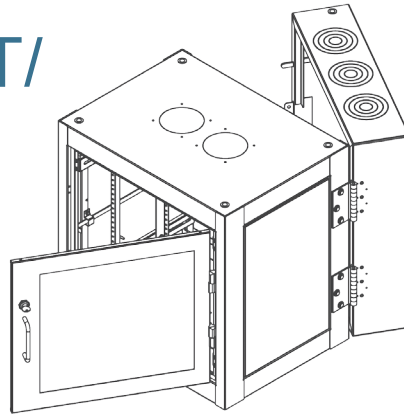
- Knockouts on top and bottom to accept fan assembly
- 19" rack mount power strips (optional)

*For more information on accessories for this product, please contact your Methode/CTI representative.*

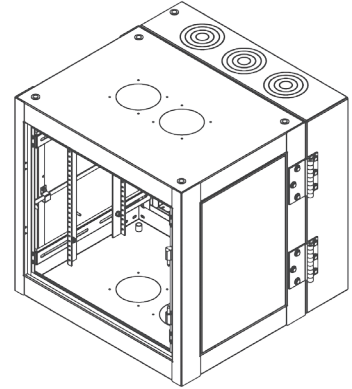




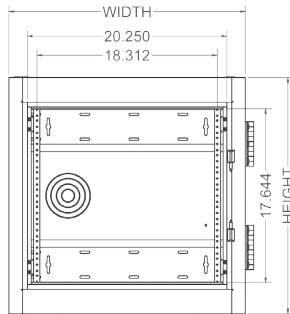
# ME WALL MOUNT/ SWING OUT ENCLOSURES



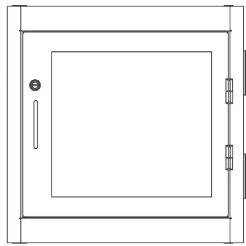
ISO EXPLODED  
(with Door)



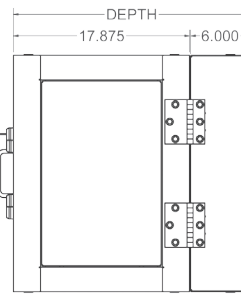
ISO COLLAPSED  
(without Door)



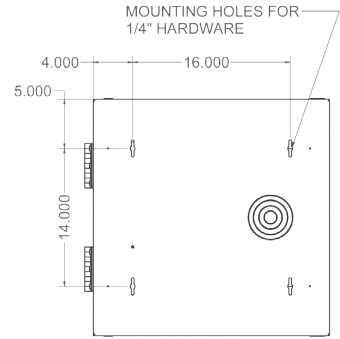
FRONT VIEW  
(without Door)



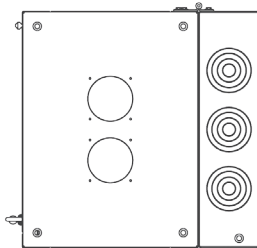
FRONT VIEW  
(with Door)



RIGHT SIDE VIEW



BACK VIEW

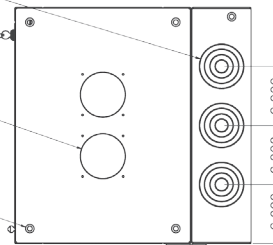


BOTTOM VIEW

1", 2", 3", and 4"  
REAR SECTION NOMINAL  
CONCENTRIC CONDUIT  
KNOCKOUT

FAN KNOCKOUTS FOR  
7217WS ASSEMBLY LOCATED  
ON TOP AND BOTTOM

DIA. 1/2" - 13 THREADS  
TOP AND BOTTOM  
5 PLACES



TOP VIEW

Wall Mount/Swing Out Enclosures are provided standard with a plexi front door and solid sides. Should your needs require a custom version of any standard Wall Mount/Swing Out Enclosure platform, please contact your Methode Electronics representative. We can develop a custom solution to meet your specific requirements. (Extended lead times on custom product configurations may apply.)

Part Number	Height	Width	Depth	RU
ME-1100WMSO-2424	24"	24"	24"	11
ME-1800WMSO-2424	36"	24"	24"	18
ME-2500WMSO-2424	48"	24"	24"	25

