



# METHODE ELECTRONICS, INC.

Data Solutions Group

Methode's CTI line of Wall Boxes offer RU mounting for small patch panel and switch applications. Wall Boxes are able to be mounted vertically or horizontally to accommodate users and equipment.

Wall Boxes have the following weight capacities: 200WB, 2 RU, 50 lbs. • 400WB, 4 RU, 75 lbs.



Pictured with cover (included)



Pictured without cover

## ME WALL BOXES

### Construction

- Simple 4 piece, bolt-together design
- Light weight body and cover plate
- Removable cover plate to access equipment and cables

### Cable Management

- Large cut out on back of mount for cable access
- Cable tie down slots

### Cooling and Power

- Side ventilation for natural airflow
- 19" rack mount power strips (optional)

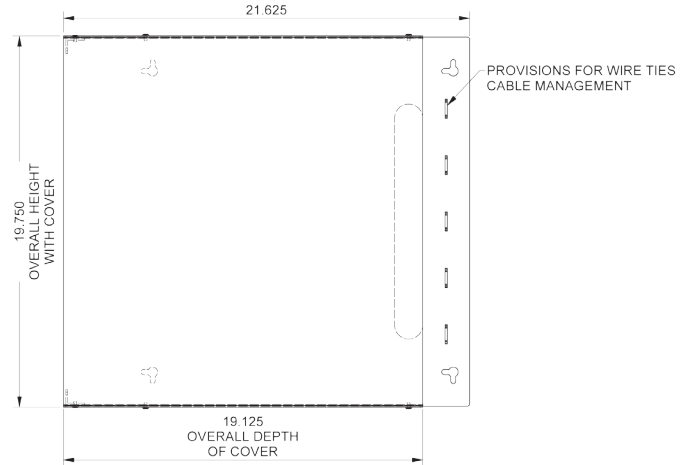
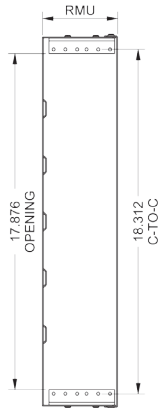
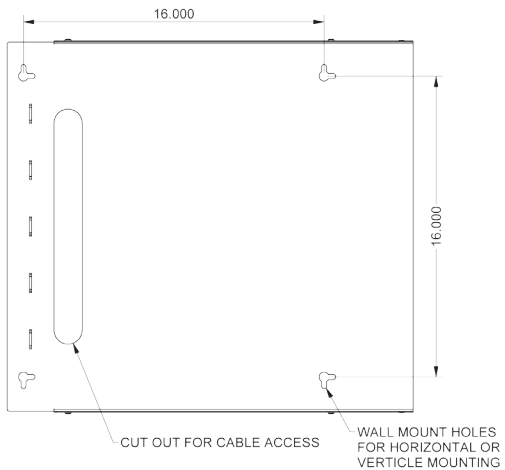
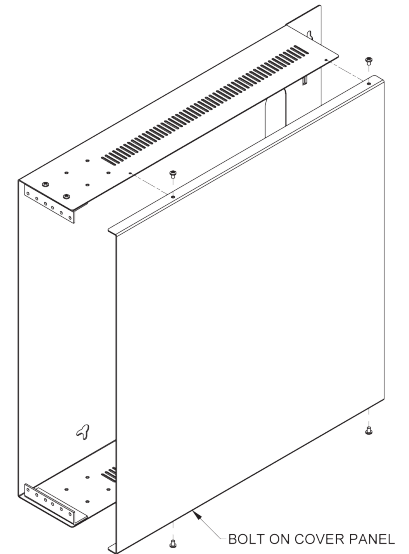
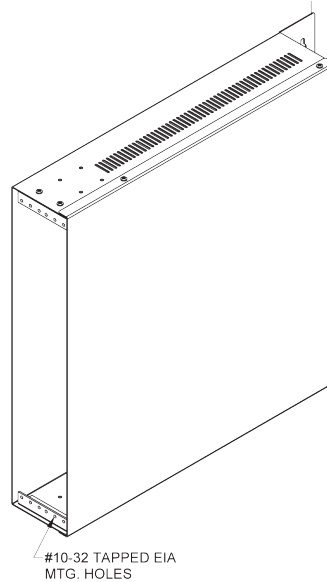
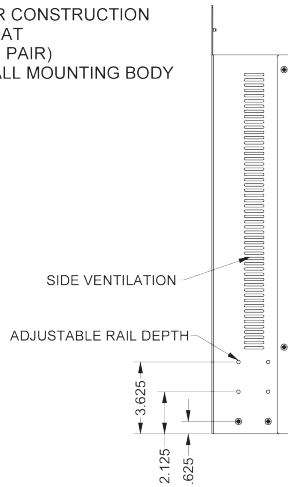
*For more information on accessories for this product, please contact your Methode/CTI representative.*



# ME WALL BOXES

**CONSTRUCTION:**

- SIMPLE 4 PIECE BOLT TOGETHER CONSTRUCTION
- DURABLE TEXTURE POWDER COAT
- #12 GA. C.R.S. RAIL BRACKETS (1 PAIR)
- #16 GA. C.R.S. LIGHT WEIGHT WALL MOUNTING BODY
- #16 GA. C.R.S. COVER PANEL



Wall Boxes are provided standard with a body and cover panel. Should your needs require a custom version of any standard Wall Mount Boxes platform, please contact your Methode Electronics representative. We can develop a custom solution to meet your specific requirements. (Extended lead times on custom product configurations may apply.)

Part Number	Height	Width	Depth	RU
ME-200WB-1921	4"	19.75"	21.63"	2
ME-400WB-1921	7.5"	19.75"	21.63"	4

