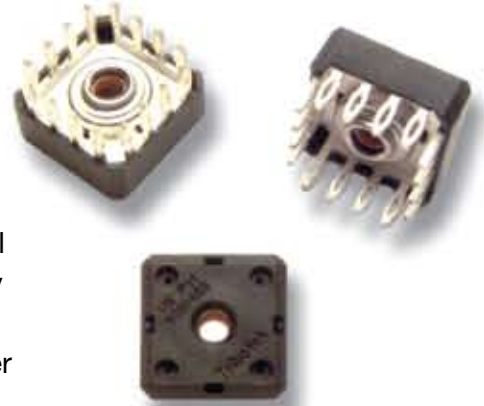


Method is Power Possibilities...

Tribotek InBoard® Sockets

The Tribotek™ brand InBoard family of compact socket connectors delivers high current to backplanes, midplanes and busbars in power distribution applications. Using the award winning LowR™ contact system, InBoard sockets can deliver currents of up to 100A using little board or busbar real estate. The new generation power contact technology offers lower millivolt drop and insertion/extraction forces than similar sockets using old generation power contacts. InBoard series connectors are available in two versions, a bottom entry variation and a pass-thru model designed for top entry that is well suited for power distribution in stacked board applications.



Product Highlights

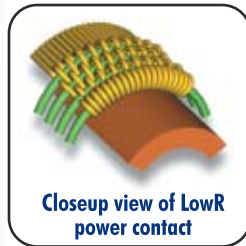
- 100 A size #10 power contact
- 16 press fit leads
- Low contact resistance: 200 micro-ohms
- Socket mounts to PCB or busbar
- Compliance with UL 1977 and C22.2 No. 182.3-M1987 safety standards

Benefits

- High current density
- Greater air flow efficiency
- Very low mV drop
- Low insertion/extraction forces
- Built-in gatherability

LowR: The Next Generation Power Contact System

The Tribotek LowR™ patented contact system offers a proven but fundamentally different interface physics to achieve significantly



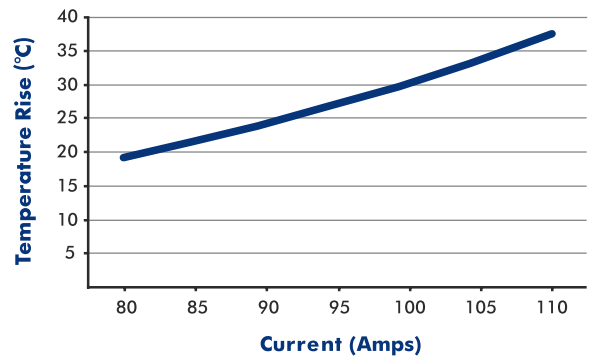
Closeup view of LowR power contact

superior electrical and mechanical performance over older generation power connectors.

This new generation Power Contact System combines hundreds of

parallel points of contact and pure copper conductors to provide very low resistance, low insertion force and high conductivity. Tribotek connectors with LowR technology use smaller size contacts than conventional connectors that allow us to carry as much or more current with low voltage drop in a smaller form-factor package than competing products.

InBoard Socket Electrical Performance
Current vs. Temperature Rise



InBoard Sockets

Sockets for backplane, midplane & busbar power distributions

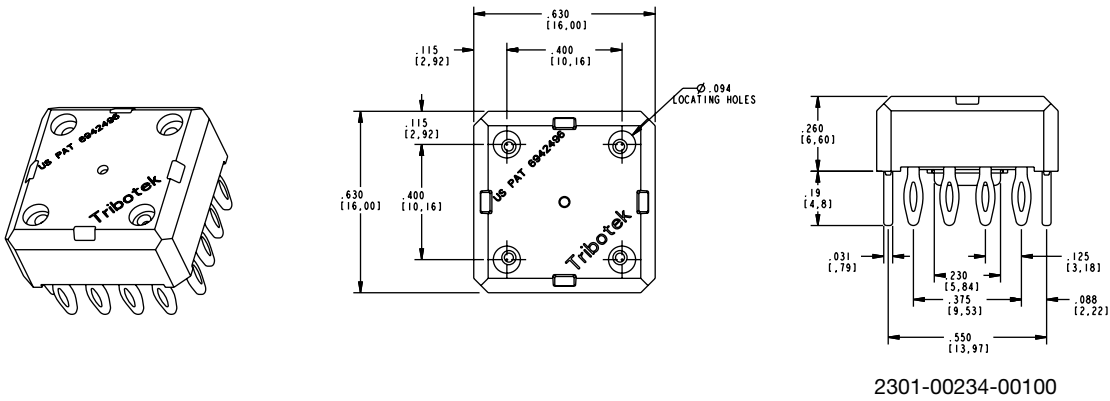
InBoard Socket Specifications

Material		
Insulator	Thermo plastic, UL 94 V-0	
Socket contact	Copper alloy body & spring element, copper weave	
Press fit leads	Copper alloy	
Finishes		
Socket contacts	Gold over nickel under plating	
Press-fit leads	Silver over nickel under plating	
Mechanical		
Mating/unmating force	0.9 lbf/4 N	
Electrical		
Contact current rating	UL	100 A
	CSA	95 A
Contact mV drop	10 mV at 95 A	

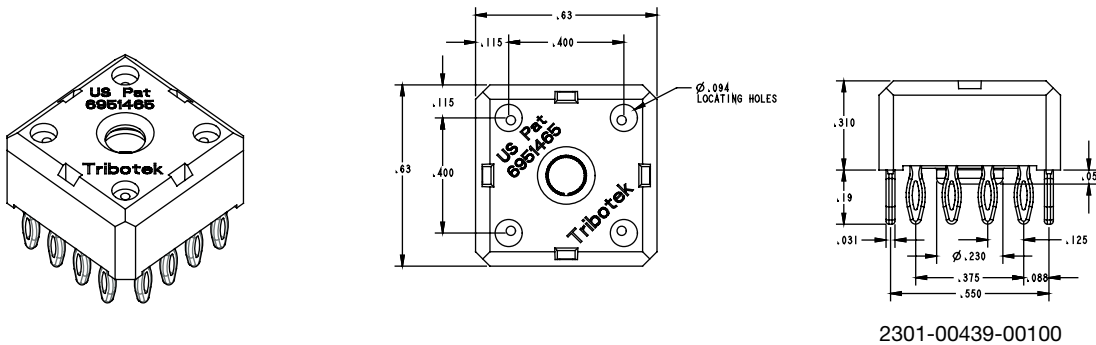
All specifications are subject to change without notice.

General Dimensions (Dimensions shown in inches [mm])

Bottom Entry Version (UL/CSA Approved)



Top Entry Version



Cableco Technologies
 1750 Junction Ave. • San Jose, CA 95112
 Phone: 408-453-9500 • Fax: 408-943-6655
 Email: sales@cablecotech.com

www.tribotek-inc.com

LowR, InBoard, and Tribotek are registered trademarks of Cableco Technologies Corporation - A Methode Electronics Company.