

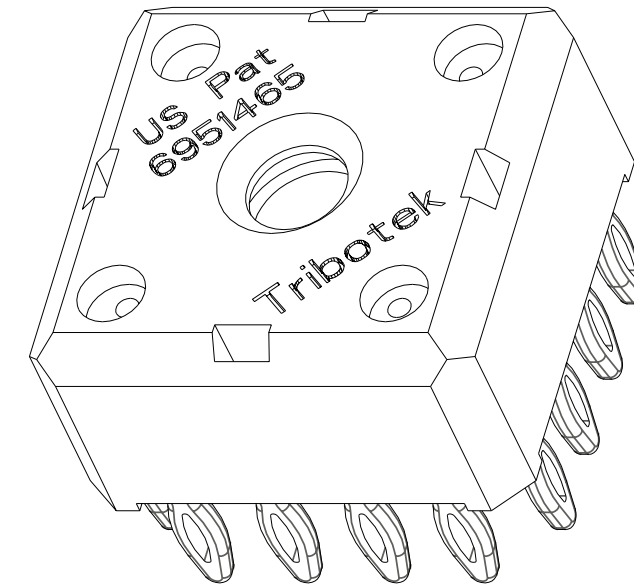
**PROPRIETARY NOTICE**

ALL INFORMATION IN THIS DRAWING IS CONFIDENTIAL AND PROPRIETARY INFORMATION IS NOT TO BE DISTRIBUTED, COPIED OR SHARED EXCEPT WITH PRIOR WRITTEN APPROVAL OF CABLECO TECHNOLOGY-METHODE ELECTRONICS, INC.


ECO	REV	DESCRIPTION	DATE
-	B	EDITORIAL UPDATE-INFORMATION CLARIFICATION	04/03/08
EC-164	C	DWG FORMAT UPDATE	10/03/08
EC-176	D	DIMENSION INFORMATION CLARIFICATION	10/08/08

**NOTES:**

1. CONNECTOR NAMES AND PART NUMBERS:  
 NAME: IN-BOARD SOCKET CONNECTOR, TOP ENTRY, 16 COMPLIANT LEADS  
 PART NUMBER: 2301-00439-00100 (OBSOLETE PN: A-00439-01)
2. MATERIALS:  
 INSULATORS: THERMOPLASTIC, UL 94 V-0  
 SOCKET CONTACTS: COPPER ALLOY BODY & SPRING ELEMENT PLUS COPPER WEAVE & POLYARAMID FIBRE INTERFACE  
 PRESS-FIT LEADS: COPPER ALLOY
3. FINISHES:  
 SOCKET CONTACTS: GOLD PLATING OVER NICKEL UNDER PLATE  
 PRESS-FIT LEADS: SILVER PLATING OVER NICKEL PLATE
4. REFERENCE DIMENSIONS IN PARENTHESIS (.XXX) ARE WITHOUT TOLERANCE AND USED FOR INFORMATION ONLY.
5. OPERATIONAL CONDITIONS
  - \* PIN GATHERING OF 1.3 [.05] INCH RADIAL OFFSET WHEN USED WITH MATING PIN AS DESCRIBED ON SHEET 4.
  - \* PIN CONCENTRICITY ABOUT SOCKET ORIFICE OF 0.3 [.01] INCH.
  - \* COMPLIANT PRESS-FIT LEAD INSERTION FORCE OF 12-18 POUNDS FORCE PER LEAD.

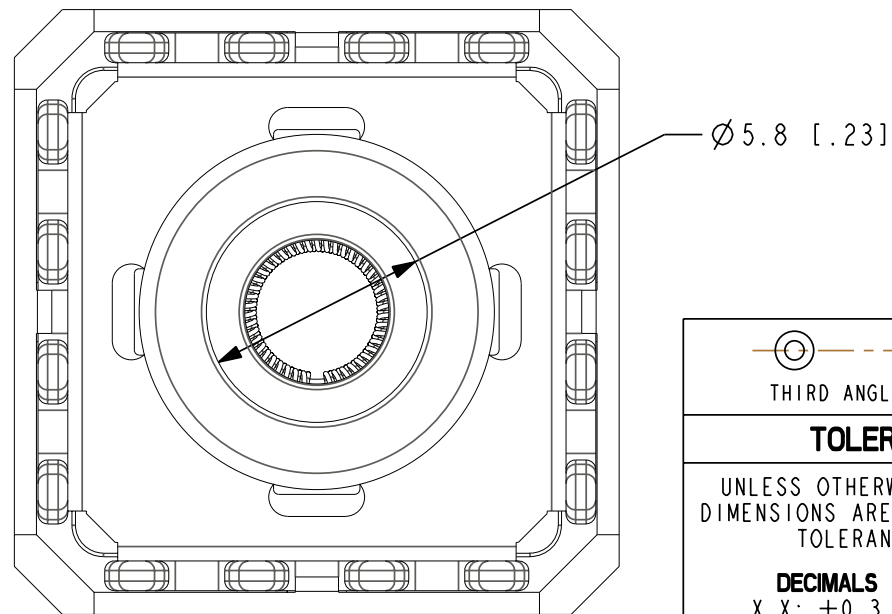
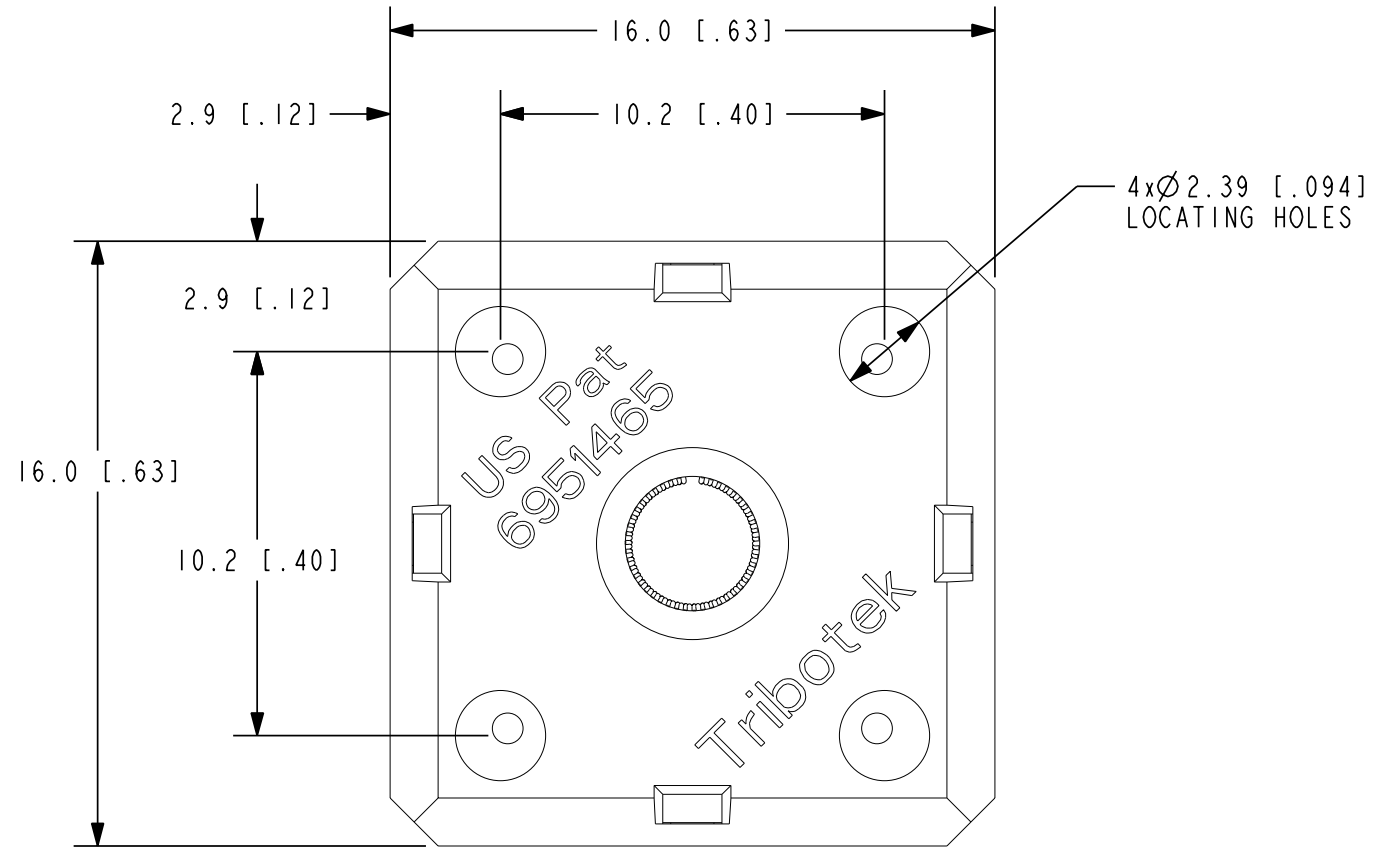
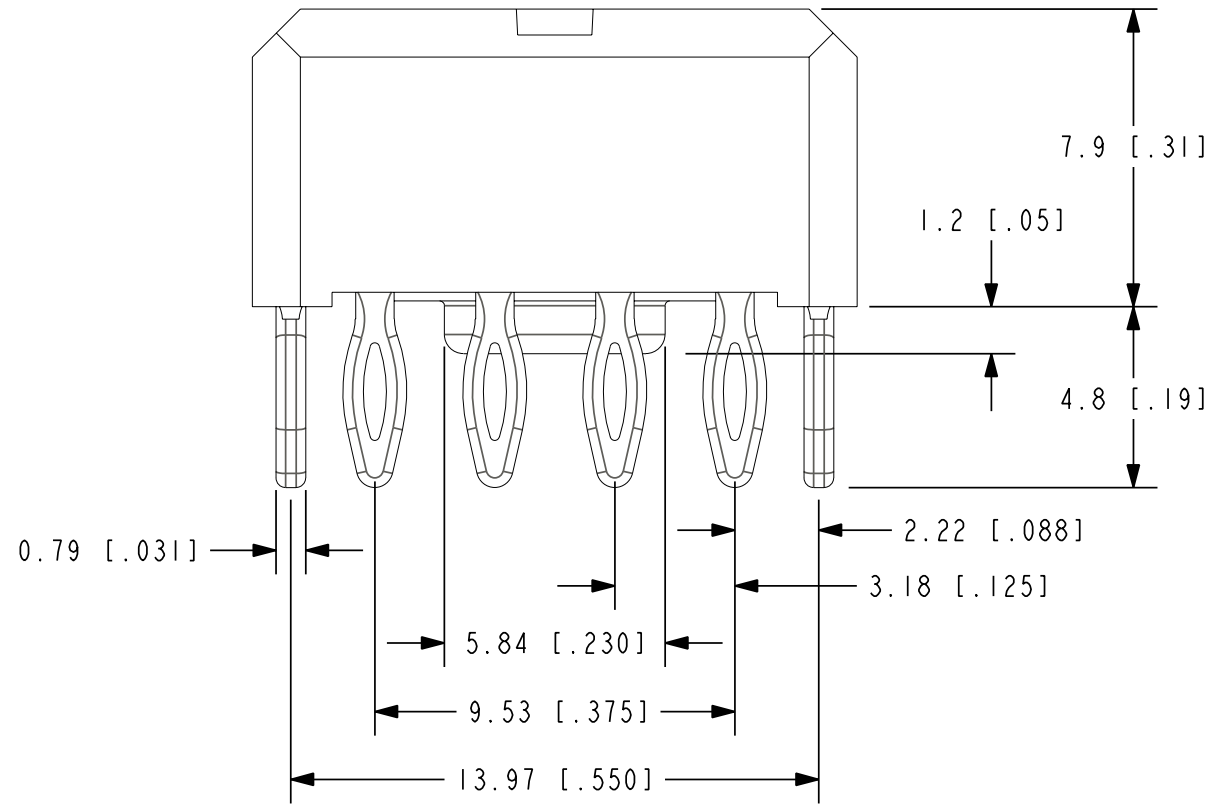


**IN-BOARD SOCKET CONNECTOR  
 PN: 2301-00439-00100**

 THIRD ANGLE PROJECTION	APPROVALS	DATE	<b>CABLECO TECHNOLOGY</b> 1750 Junction Avenue, San Jose, CA 95112 (408) 453-9500		
	ORIG:	05/31/2006			TITLE
	<b>TOLERANCES</b>	ENGR: M. SWEETLAND	05/31/2006	CUSTOMER DRAWING, IN-BOARD SOCKET SIZE 10 CONTACT TOP ENTRY - PRESS FIT	
	UNLESS OTHERWISE SPECIFIED DIMENSIONS ARE IN MILLIMETERS TOLERANCES ARE:  <b>DECIMALS</b> <b>ANGLES</b> X.X: ±0.3      ±2.0° X.XX: ±0.15  SURFACE FINISH: N/A	MFG:		SIZE	DRAWING NUMBER
	QA:		B	C2301-06346-00100	
	DC:		SCALE: 4:1	FILENAME: 2301-06346-00100	
				SHEET: 1 OF 4	
				REV D	

**PROPRIETARY NOTICE**

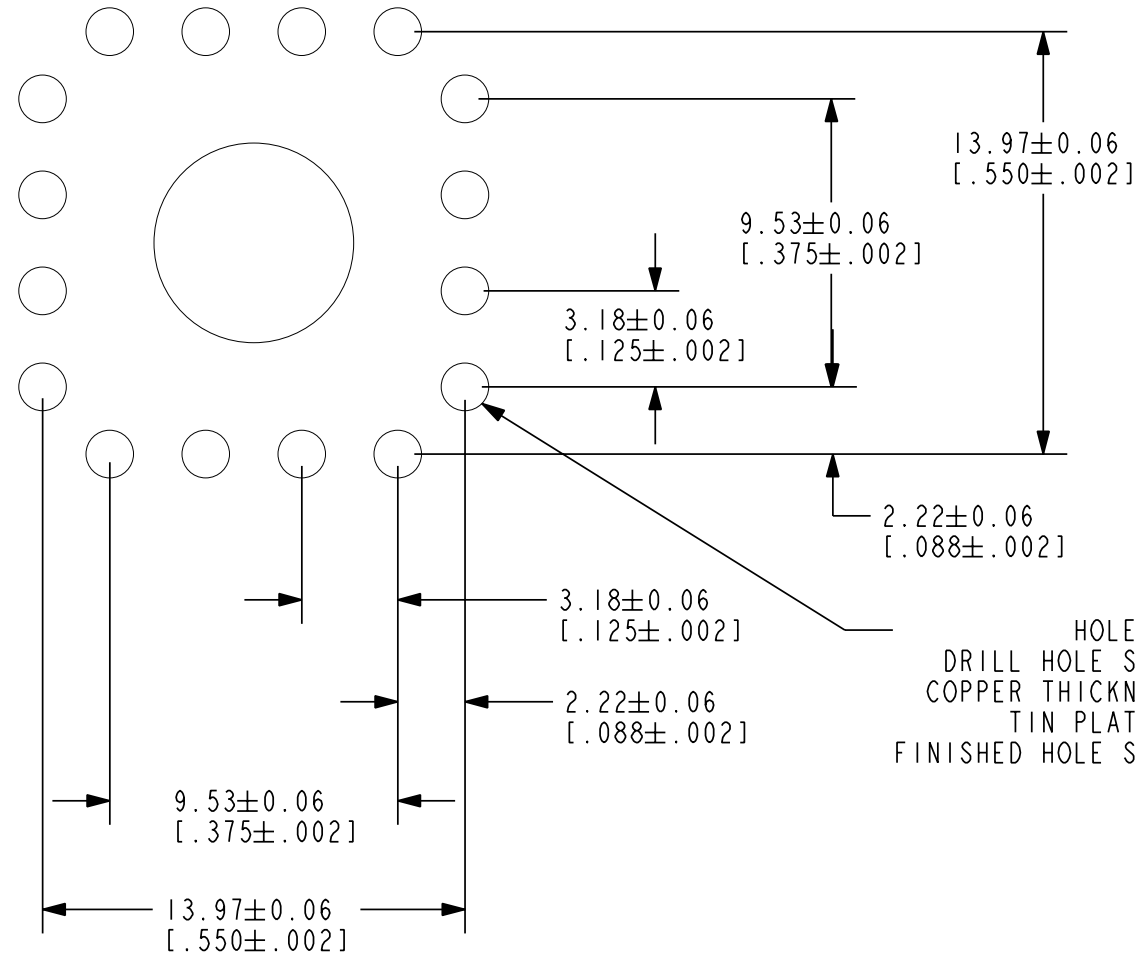
ALL INFORMATION IN THIS DRAWING IS CONFIDENTIAL AND PROPRIETARY. INFORMATION IS NOT TO BE DISTRIBUTED, COPIED OR SHARED EXCEPT WITH PRIOR WRITTEN APPROVAL OF CABLECO TECHNOLOGY-METHODE ELECTRONICS, INC.



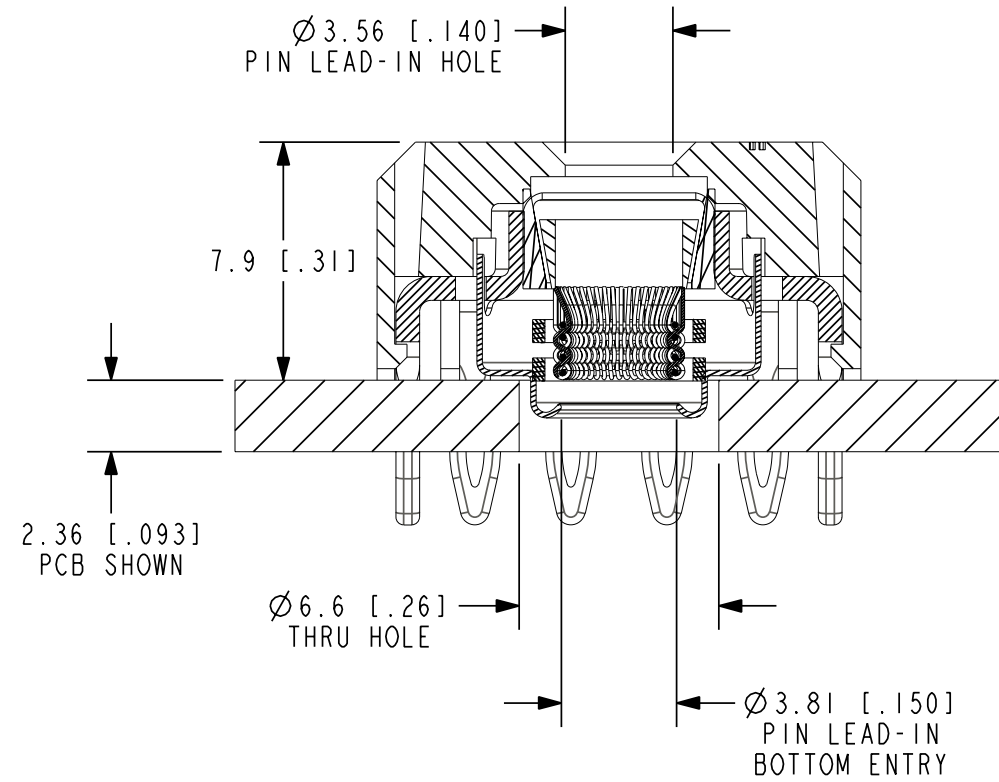
<p>THIRD ANGLE PROJECTION</p>	APPROVALS	DATE	<p><b>CABLECO TECHNOLOGY</b> 1750 Junction Avenue, San Jose, CA 95112 (408) 453-9500</p>		
	ORIG:	05/31/2006			
<p><b>TOLERANCES</b></p> <p>UNLESS OTHERWISE SPECIFIED DIMENSIONS ARE IN MILLIMETERS TOLERANCES ARE:</p> <p><b>DECIMALS</b> X.X: ±0.3 X.XX: ±0.15</p> <p><b>ANGLES</b> ±2.0°</p> <p>SURFACE FINISH: N/A</p>	ENGR: M. SWEETLAND	05/31/2006	<p>TITLE IN-BOARD SOCKET SIZE 10 CONTACT TOP ENTRY - PRESS FIT</p>		
	MFG:				
	QA:			SIZE B	DRAWING NUMBER
	DC:				C2301-06346-00100
			SCALE: 5:1[.1]	FILENAME: 2301-06346-00100	REV D
				SHEET: 2 OF 4	


**PROPRIETARY NOTICE**

ALL INFORMATION IN THIS DRAWING IS CONFIDENTIAL AND PROPRIETARY INFORMATION IS NOT TO BE DISTRIBUTED, COPIED OR SHARED EXCEPT WITH PRIOR WRITTEN APPROVAL OF CABLECO TECHNOLOGY-METHODE ELECTRONICS, INC.

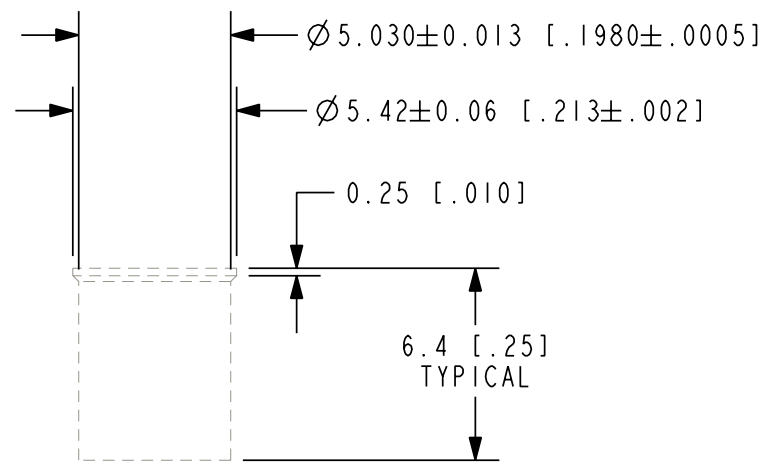


**HOLE DETAIL (16 HOLES)**  
 DRILL HOLE SIZE: 1.613 [.0635±.0010]  
 COPPER THICKNESS: 0.025 [.0010] MINIMUM  
 TIN PLATING: 0.0025 [.0001] MINIMUM  
 FINISHED HOLE SIZE: 1.57 / 1.42 [.062 / .056]

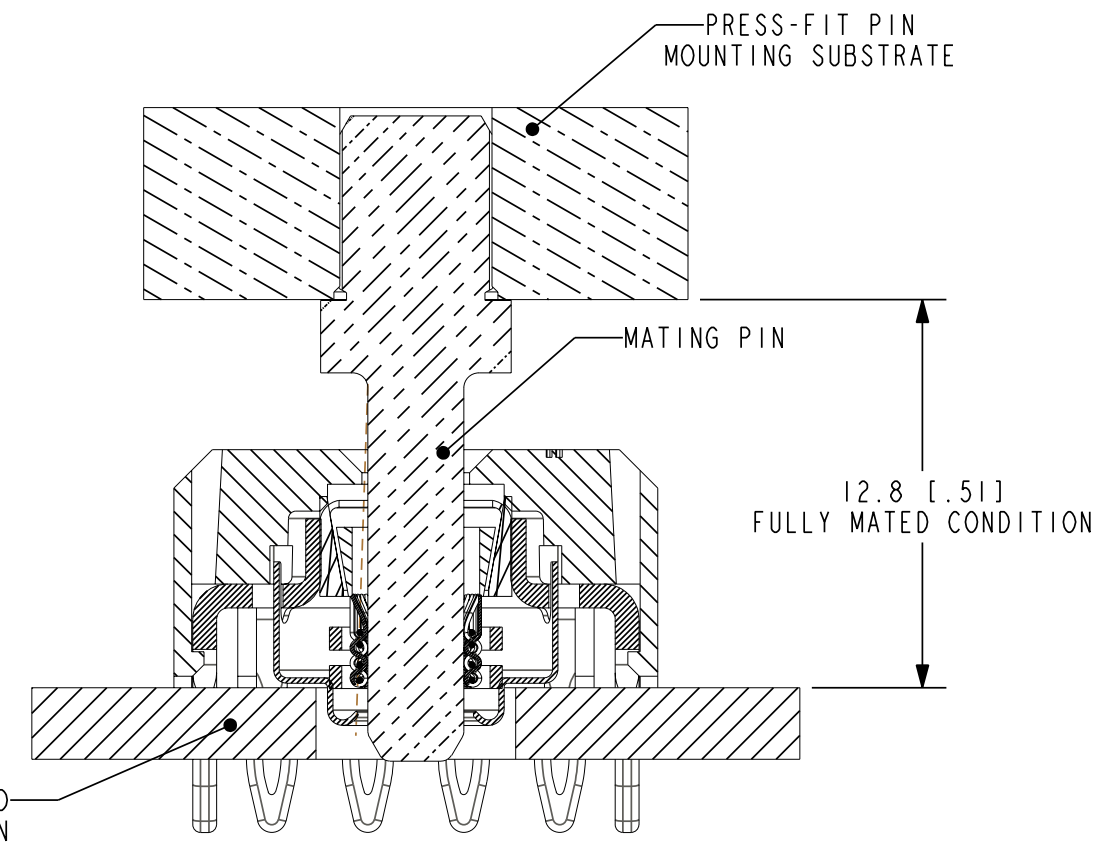
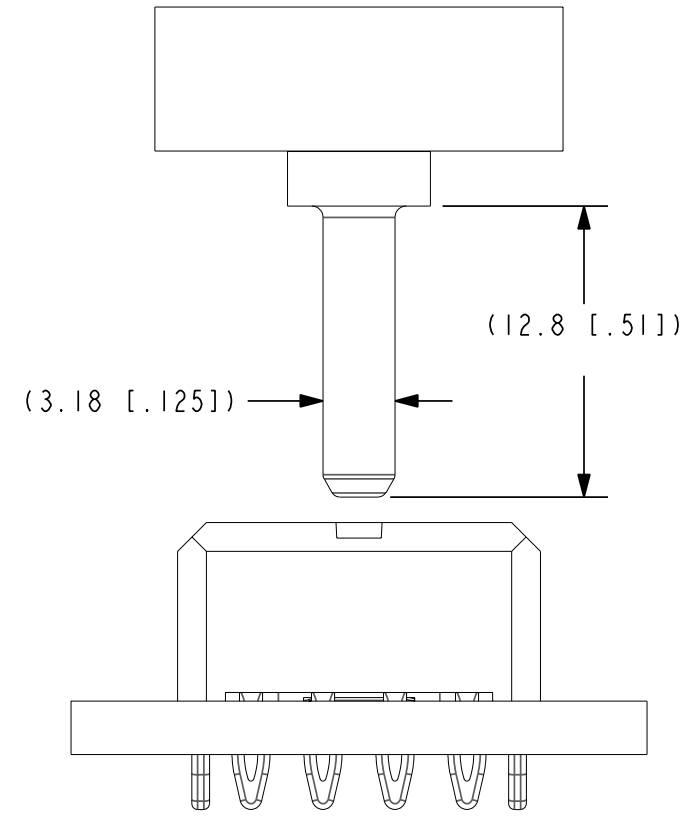


 THIRD ANGLE PROJECTION	APPROVALS	DATE	<b>CABLECO TECHNOLOGY</b> 1750 Junction Avenue, San Jose, CA 95112 (408) 453-9500		
	ORIG:	05/31/2006			
<b>TOLERANCES</b> UNLESS OTHERWISE SPECIFIED DIMENSIONS ARE IN MILLIMETERS TOLERANCES ARE: <b>DECIMALS</b> X.X: ±0.3 X.XX: ±0.15 <b>ANGLES</b> ±2.0° SURFACE FINISH: N/A	ENGR: M. SWEETLAND	05/31/2006	TITLE IN-BOARD SOCKET SIZE 10 CONTACT TOP ENTRY - PRESS FIT		
	MFG:				
	QA:		SIZE B	DRAWING NUMBER	REV D
	DC:			C2301-06346-00100	
		SCALE: 4:1[.1]	FILENAME: 2301-06346-00100	SHEET: 3 OF 4	

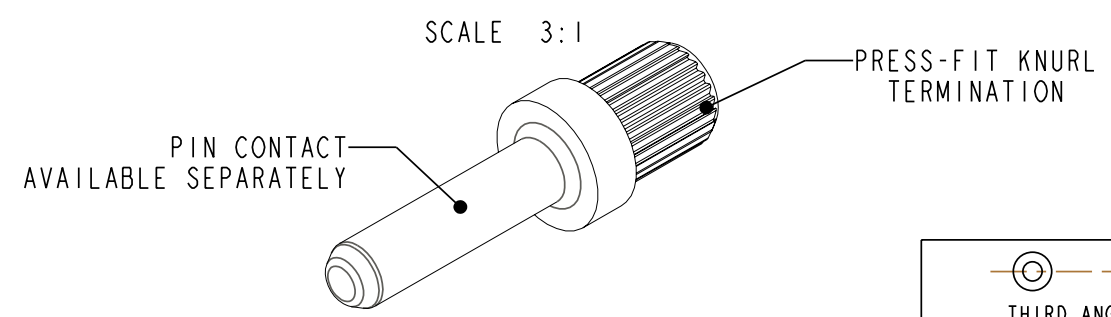
**PROPRIETARY NOTICE**  
 ALL INFORMATION IN THIS DRAWING IS CONFIDENTIAL AND PROPRIETARY. INFORMATION IS NOT TO BE DISTRIBUTED, COPIED OR SHARED EXCEPT WITH PRIOR WRITTEN APPROVAL OF CABLECO TECHNOLOGY-METHODE ELECTRONICS, INC.



HOLE DETAIL  
PRESS-FIT PIN



MATING SECTION VIEW  
FULL DEPTH INSERTION SHOWN



PIN CONTACT  
 PN: 6104-02873-02104  
 BUS BAR / PRESS-FIT  
 SILVER PLATED

 THIRD ANGLE PROJECTION	APPROVALS	DATE	<b>CABLECO TECHNOLOGY</b> 1750 Junction Avenue, San Jose, CA 95112 (408) 453-9500		
	ORIG:	05/31/2006			
<b>TOLERANCES</b> UNLESS OTHERWISE SPECIFIED DIMENSIONS ARE IN MILLIMETERS TOLERANCES ARE: <b>DECIMALS</b> X.X: ±0.3 X.XX: ±0.15 <b>ANGLES</b> ±2.0° SURFACE FINISH: N/A	ENGR: M. SWEETLAND	05/31/2006	TITLE IN-BOARD SOCKET SIZE 10 CONTACT TOP ENTRY - PRESS FIT		
	MFG:				
	QA:			SIZE B	DRAWING NUMBER
	DC:				C2301-06346-00100
			SCALE: 4:1 [.1]	FILENAME: 2301-06346-00100	REV D
				SHEET: 4 OF 4	