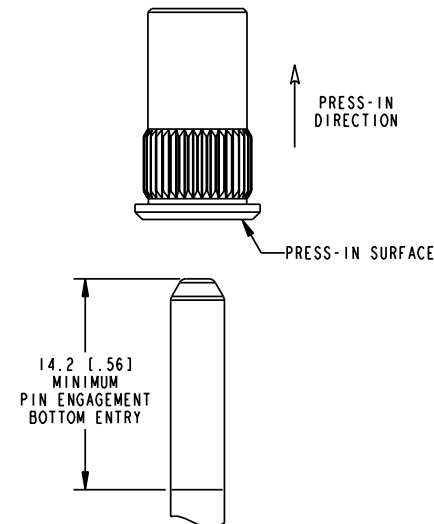
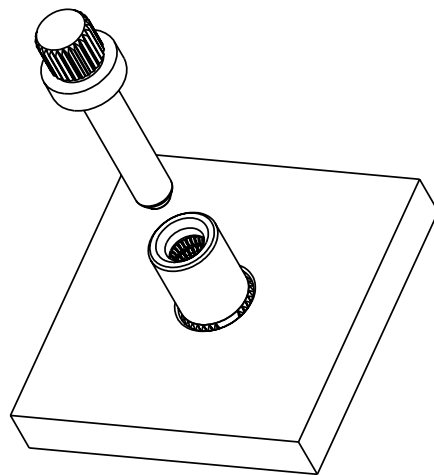
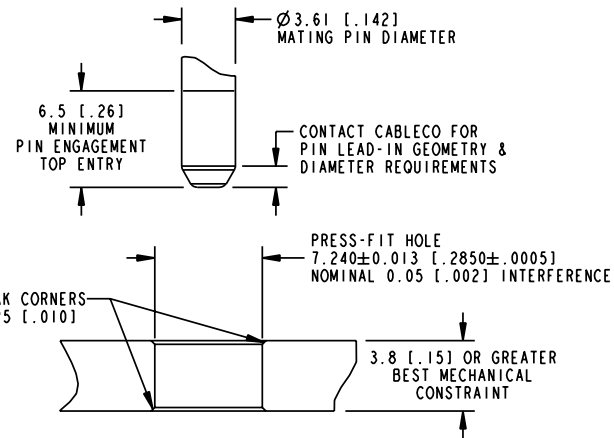
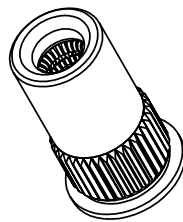
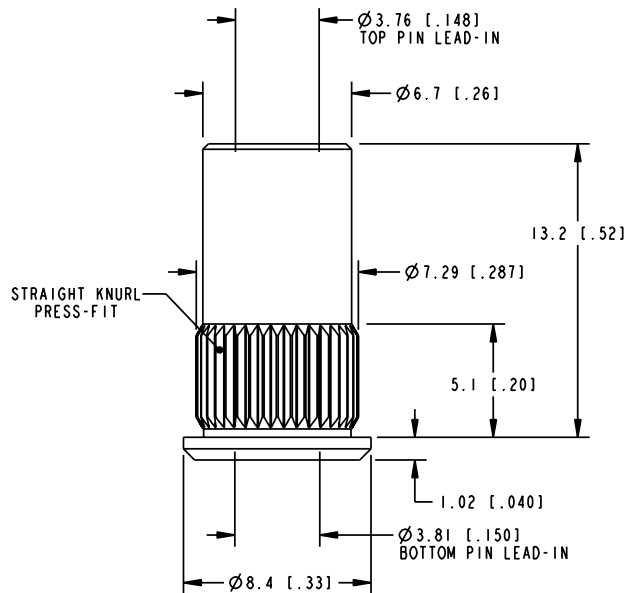


PROPRIETARY NOTICE
 ALL INFORMATION IN THIS DRAWING IS CONFIDENTIAL AND PROPRIETARY INFORMATION IS NOT TO BE DISTRIBUTED, COPIED OR SHARED EXCEPT WITH PRIOR WRITTEN APPROVAL OF CABLECO TECHNOLOGY-METHODE ELECTRONICS, INC.

ECO	REV	DESCRIPTION	DATE
EC-251	B	CHG FINISHED KNURL DIA & PRESS-FIT HOLE DIA	12/09/09



NOTES: UNLESS OTHERWISE SPECIFIED

- CONTACT NAME AND PART NUMBER:
 NAME: EBC SOCKET SIZE 3.6 MM
 PART NUMBER: 1101-06634-01100
- MATERIALS:
 SOCKET CONTACTS: COPPER ALLOY
 SOCKET BODY: COPPER ALLOY
 FLANGE / FERRULE: COPPER ALLOY
- FINISHES:
 SOCKET CONTACTS: SILVER PLATING OVER NICKEL UNDER PLATING
 SOCKET BODY: SILVER PLATING OVER NICKEL UNDER PLATING
 FLANGE / FERRULE: NICKEL PLATING
- REFERENCE DIMENSIONS IN PARENTHESIS (X.XX) ARE WITHOUT TOLERANCE AND USED FOR INFORMATION ONLY.

PART NUMBER: 1101-06634-01100

<p>THIRD ANGLE PROJECTION</p>	APPROVALS	DATE	<p>CABLECO TECHNOLOGY 1750 Junction Avenue, San Jose, CA 95112 (408)-453-9500</p>	
	ORIG:	03/18/2009		
	ENGR: R. Larsen	03/18/2009		
	TOLERANCES			
UNLESS OTHERWISE SPECIFIED DIMENSIONS ARE IN MILLIMETERS TOLERANCES ARE: DECIMALS ANGLES X.X: ±0.3 ±2.0° X.XX: ±0.15			TITLE EBC SOCKET SIZE 3.6 MM STRAIGHT KNURL PRESS-FIT	
SURFACE FINISH: N/A		SIZE C	DRAWING NUMBER C1101-06634-01104	REV B
		SCALE: 6.0	FILENAME: 1101-06634-01104	SHEET: 1 OF 1