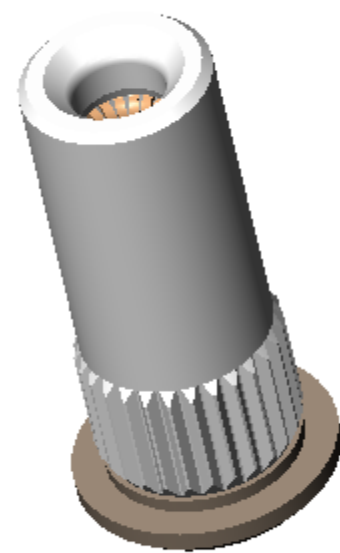
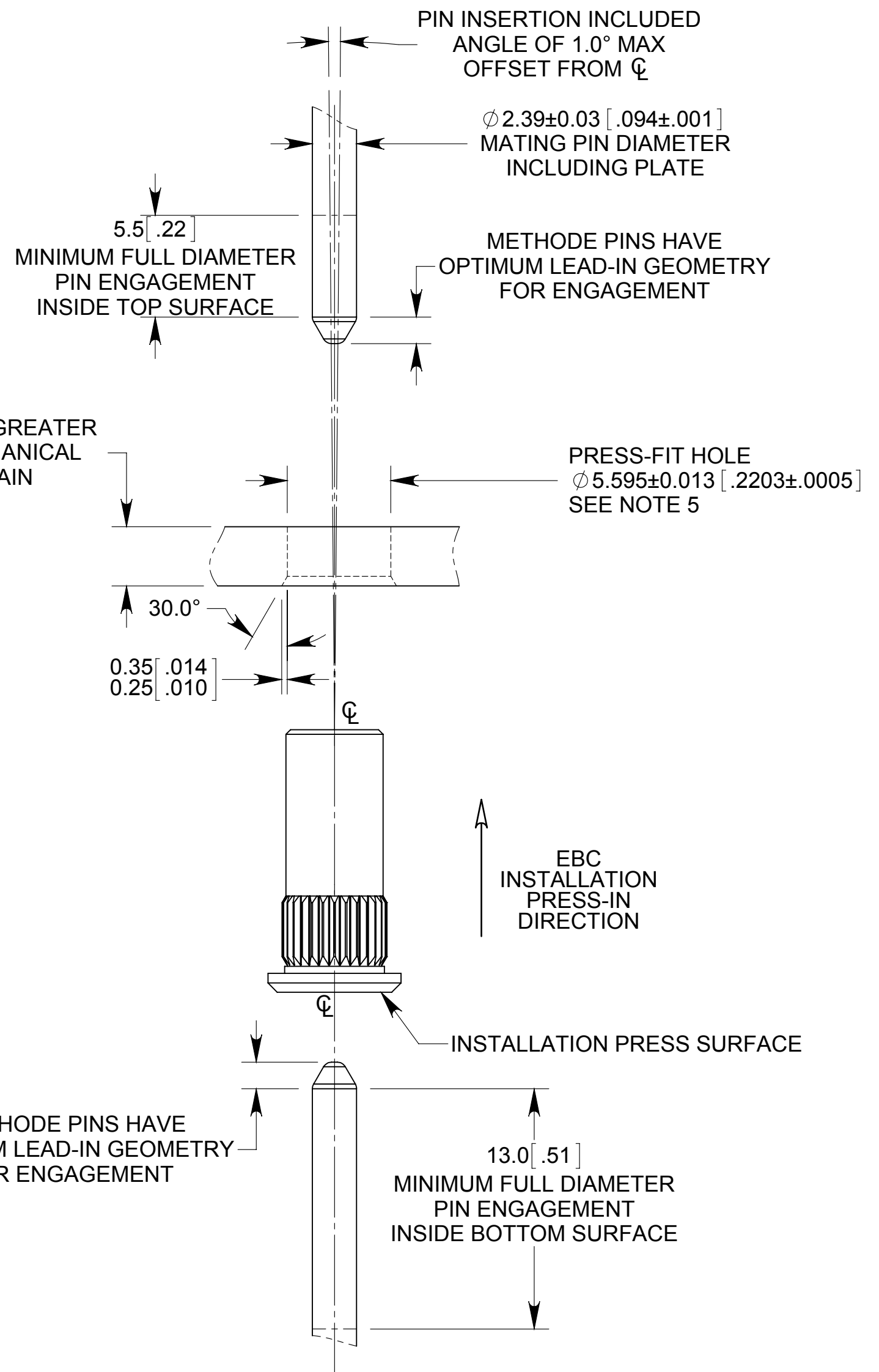
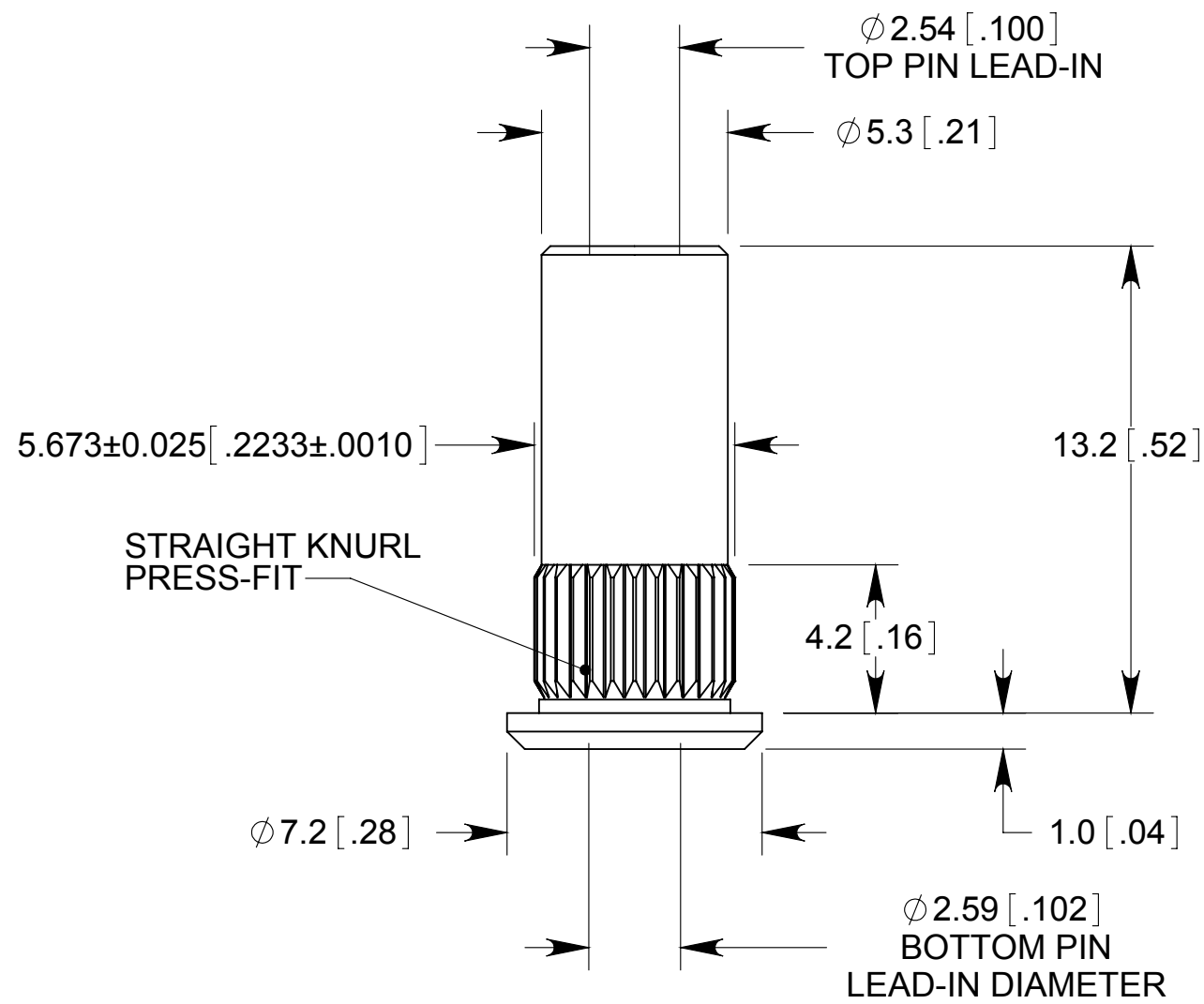


ECO	REV	DESCRIPTION	DATE
10179	E	ANGULARITY ADDED; KNURL DIMN & TOLERANCE ADJUSTED	14-Apr-2014




**EBC 2.4 MM PB SOCKET
PN: 1101-06638-01104**

NOTES: UNLESS OTHERWISE SPECIFIED

- CONTACT NAME AND PART NUMBER:
NAME: EMBEDDED BUSBAR CONNECTOR (EBC)
POWERBUD® SIZE 2.4 MM
PART NUMBER: 1101-06638-01104
- MATERIALS:
SOCKET CONTACTS: COPPER ALLOY
SOCKET BODY: COPPER ALLOY
FLANGE / FERRULE: COPPER ALLOY
- FINISHES:
SOCKET CONTACTS: SILVER PLATING OVER NICKEL UNDER PLATING
SOCKET BODY: SILVER PLATING OVER NICKEL UNDER PLATING
FLANGE / FERRULE: NICKEL PLATING
- REFERENCE DIMENSIONS IN PARENTHESIS (X.XX) ARE WITHOUT TOLERANCE AND USED FOR INFORMATION ONLY.
- PRESS-FIT HOLE DIMENSION SHOWN PROVIDES A 0.08 MM [.003"] NOMINAL DIAMETER INTERFERENCE FOR USE IN SOLID COPPER INSTALLATIONS ONLY. THESE VALUES ARE GUIDELINES. ACTUAL CONDUCTOR THICKNESS HOLE DIAMETER AND LEAD IN SHOULD BE CHARACTERISED BY THE USER FOR THEIR PARTICULAR APPLICATION.

THIRD ANGLE PROJECTION		NAME	DATE								
TOLERANCES UNLESS OTHERWISE SPECIFIED DIMENSIONS ARE IN MILLIMETERS TOLERANCES ARE: <table border="1"> <thead> <tr> <th>DECIMALS</th> <th>ANGLES</th> </tr> </thead> <tbody> <tr> <td>X.X ± 0.2</td> <td>± 2.0</td> </tr> <tr> <td>X.XX ± 0.08</td> <td></td> </tr> <tr> <td>X.XXX ± 0.013</td> <td></td> </tr> </tbody> </table>		DECIMALS	ANGLES	X.X ± 0.2	± 2.0	X.XX ± 0.08		X.XXX ± 0.013		ORIG: R. Larsen	03/19/2009
		DECIMALS	ANGLES								
		X.X ± 0.2	± 2.0								
X.XX ± 0.08											
X.XXX ± 0.013											
ENGR: R. Larsen	03/19/2009										
CHECKED: H. Han	12/09/2009										
PROPRIETARY AND CONFIDENTIAL NOTICE ALL INFORMATION IN THIS DRAWING IS CONFIDENTIAL AND PROPRIETARY INFORMATION AND IS NOT TO BE DISTRIBUTED, COPIED, OR SHARED EXCEPT WITH PRIOR WRITTEN APPROVAL OF METHODE ELECTRONICS, INC. POWER SOLUTIONS GROUP.											
SURFACE FINISH: N/A											

EBC PART NUMBER LISTED IN NOTE 1 & DRAWING NUMBER BELOW IN TITLE BLOCK		
 METHODE ELECTRONICS, INC. POWER SOLUTIONS GROUP 1750 Junction Avenue, San Jose, CA 95112 (408) 453-9500		
TITLE: USER DRAWING, EBC PB SIZE 2.4 MM PIN STRAIGHT KNURL		
SIZE: C	DRAWING NUMBER: C1101-06638-01104	REV: E
SCALE: 5:1	FILENAME: 1101-06638-01104	SHEET 1 OF 1